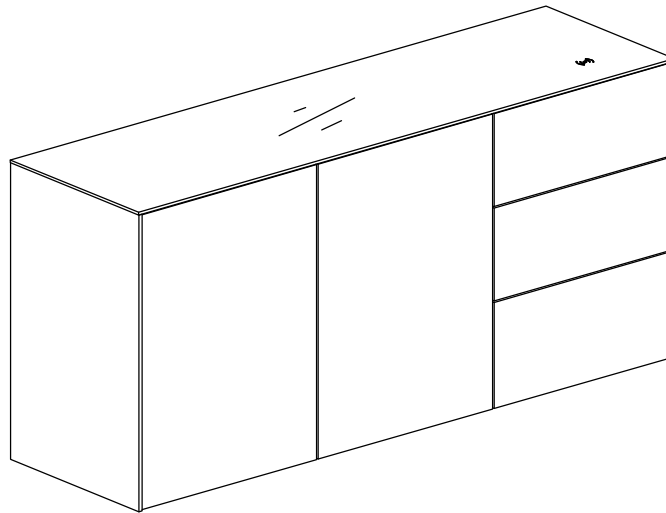


Intel LED Sideboard Wireless Charging Assembly Instructions



NOTE : If you have any problems or feel the need to return the product, Please contact us first so that we can try our best to help resolve your issue as quickly as possible. support@frankolsenfurniture.co.uk 0800 689 5054

NOTE :
We recommend watching the quick assembly help and tips video before assembling.



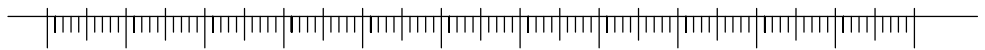
To watch assembly video :
www.frankolsenfurniture.co.uk








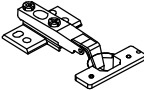
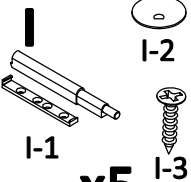
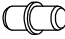


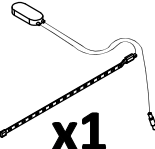
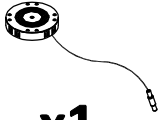
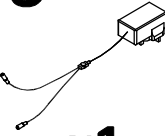

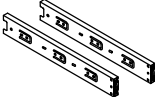



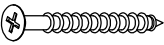


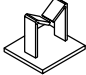
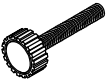
Download the Frank Olsen Smart app from :
Google Play store or Apple store



HARDWARE

0 5 10 15 20 25 30 35 40 45 50 55 60 65 70 75 80 85 90 95 100 105 110 mm

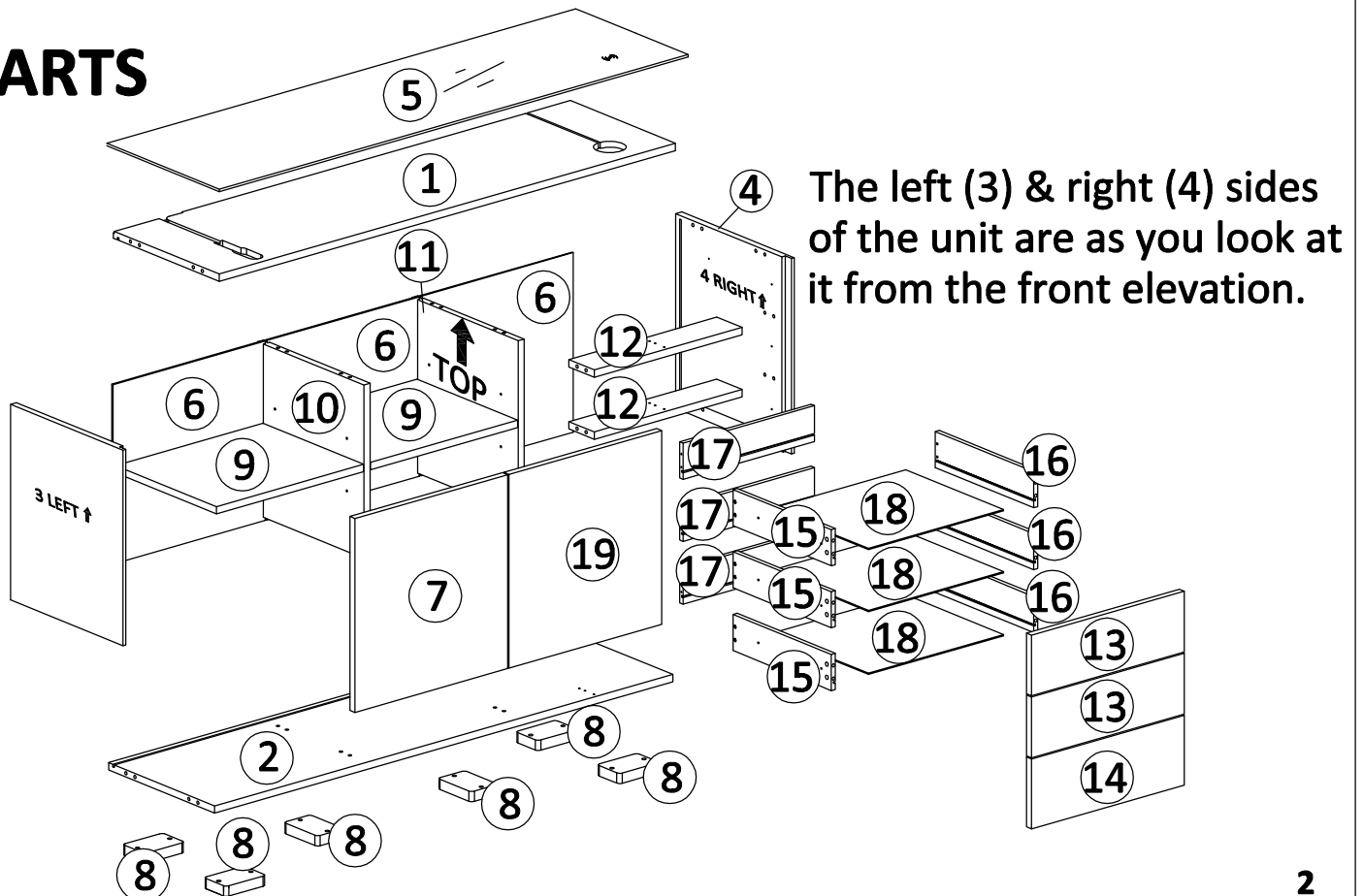


A $\Phi 8 \times 30$  x20	B $\Phi 8 \times 38$  x32	C $\Phi 15 \times 12$  x20	D M6*30  x12	E M3*12  x1	F M3.5*14  x34	G M3.5*16  x16
H  x4	I  I-1 I-2 I-3 x5	J  x8	K  x12	L  x8	M  x1	N  x1
O  x1	P  x1	Q  x6	R $\Phi 6 \times 30$  x6	S $\Phi 15 \times 10$  x12	T M3.5*12  x24	U M4*30  x12
V  x4	W  x2	X  x2	Y  x2			



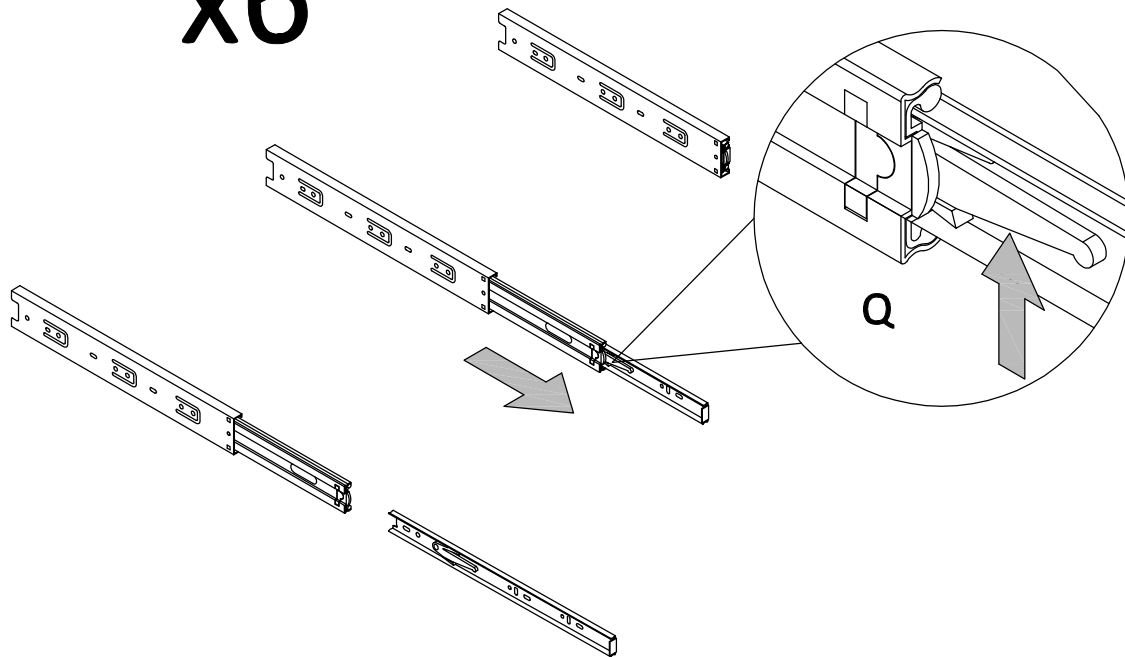
Tools Required-Not Supplied

PARTS

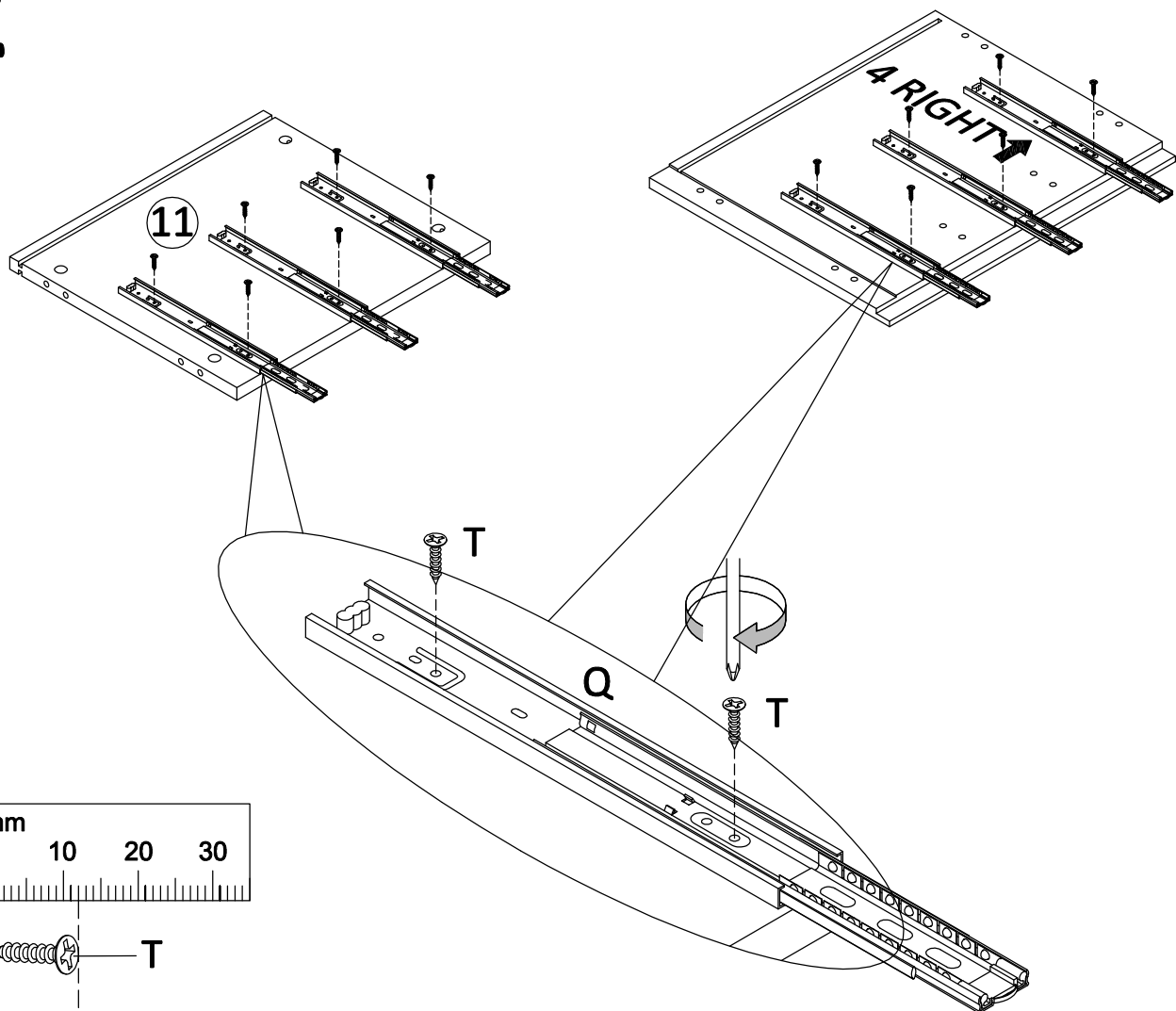


1

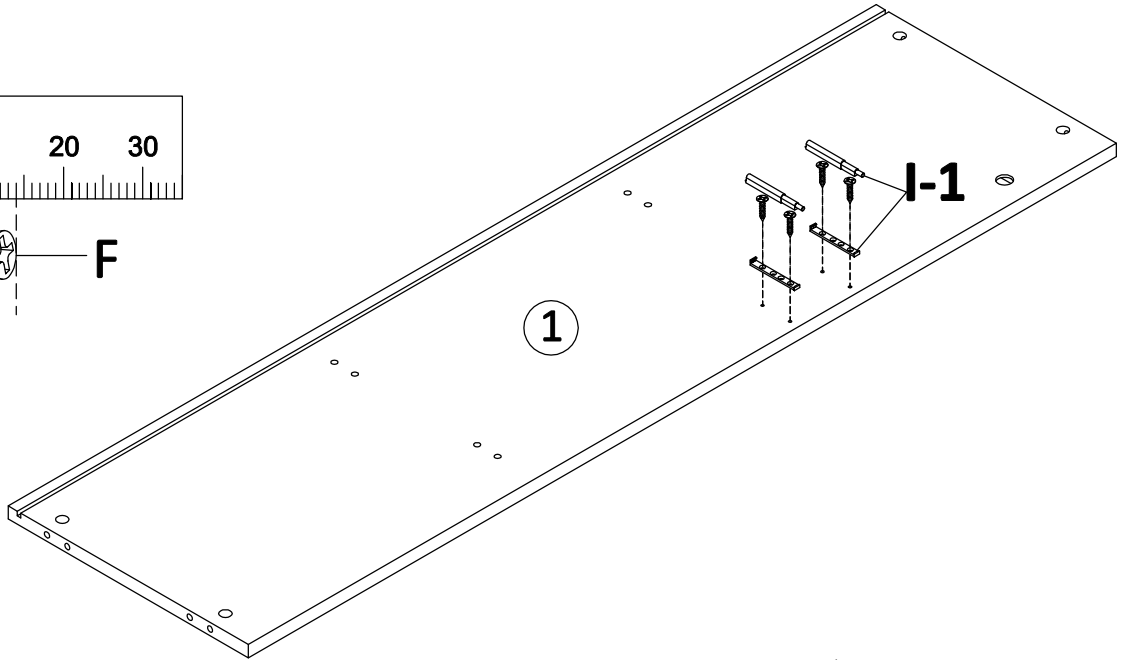
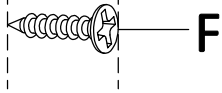
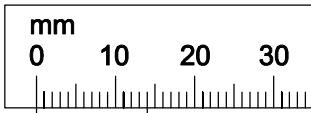
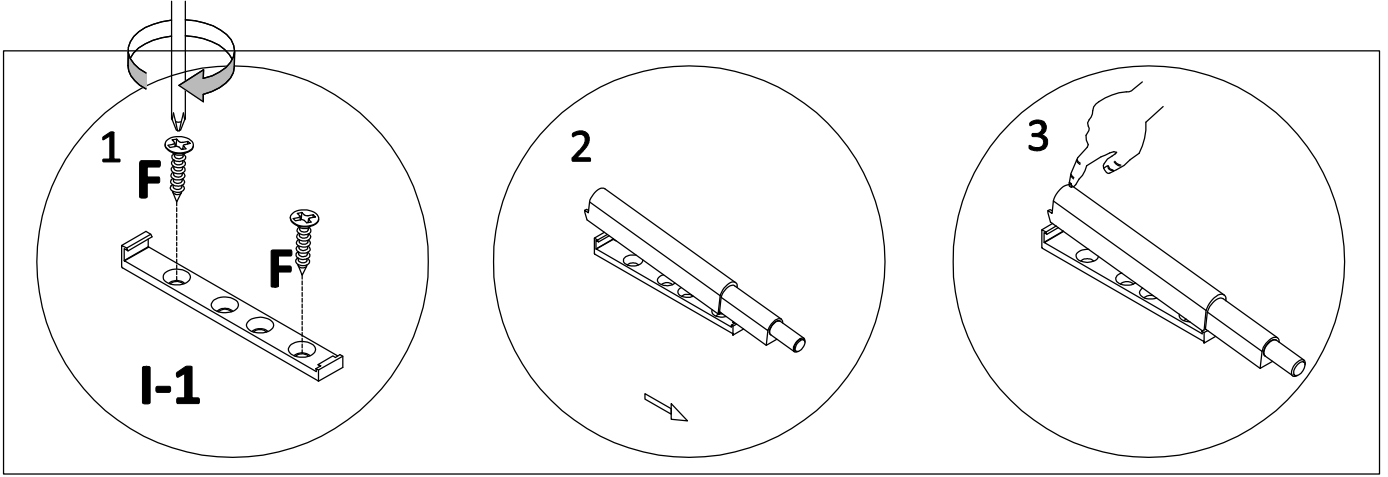
x6



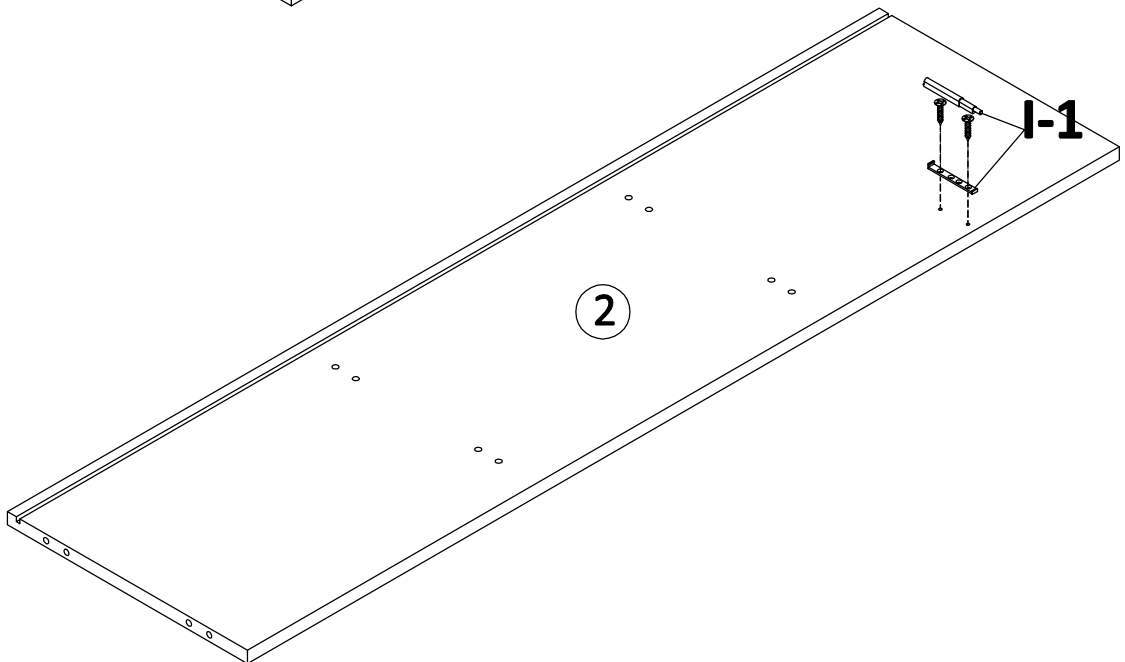
2



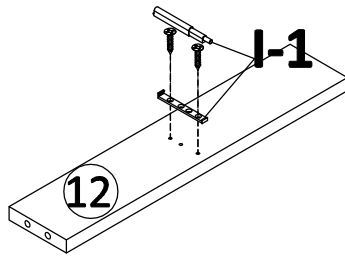
3



4

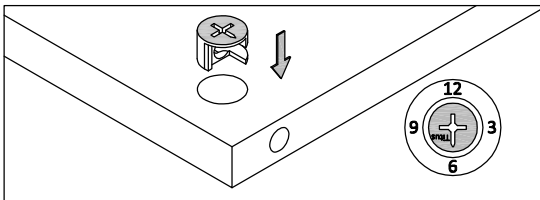


5

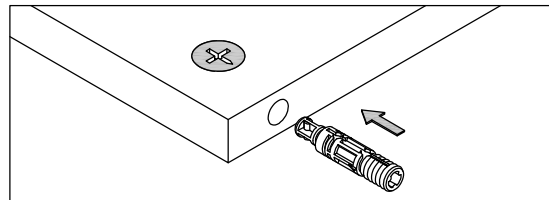


X2

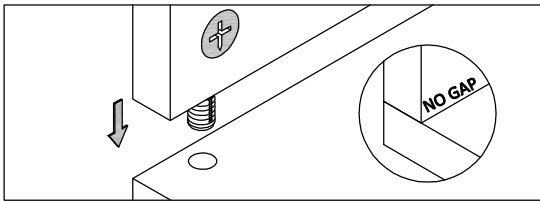
6 Guide on using quick cam assembly



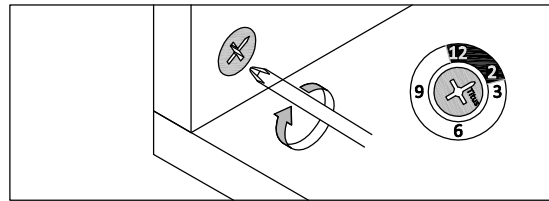
1 . Press cam into pre-drilled hole with the arrow pointing toward the side hole. (see 6 O'clock.)



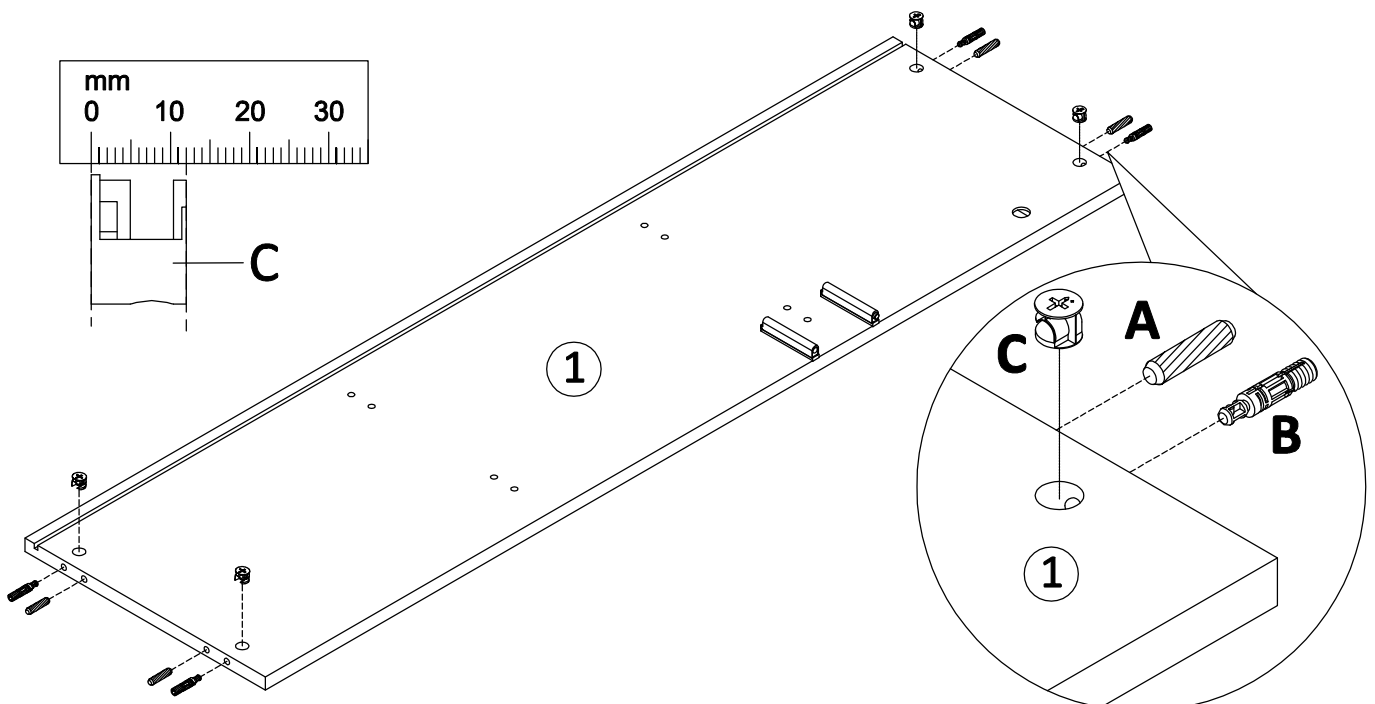
2 . Push the bolt all the way into the side hole.



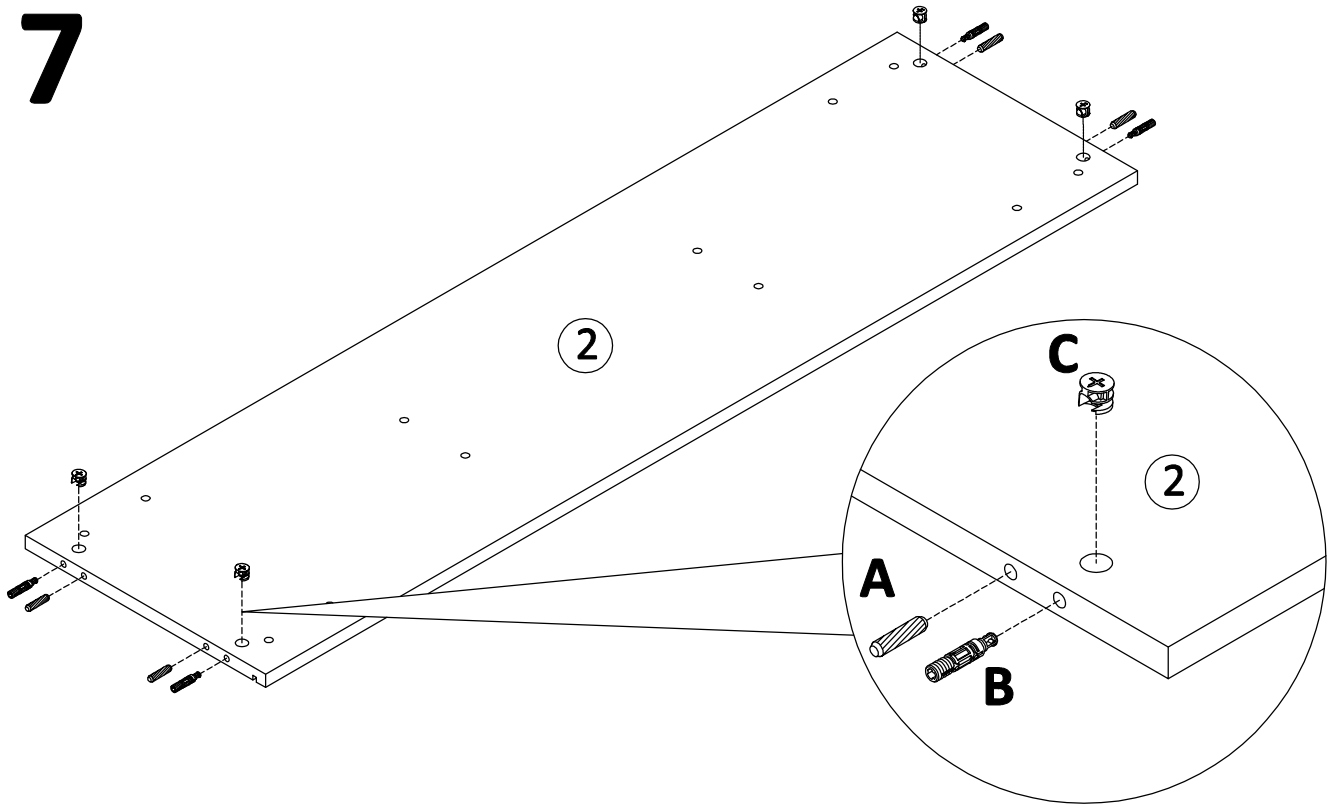
3 . With all cam & bolts installed align and push the panels together - NO GAPS (MAKE SURE PANELS HAVE NO GAPS)



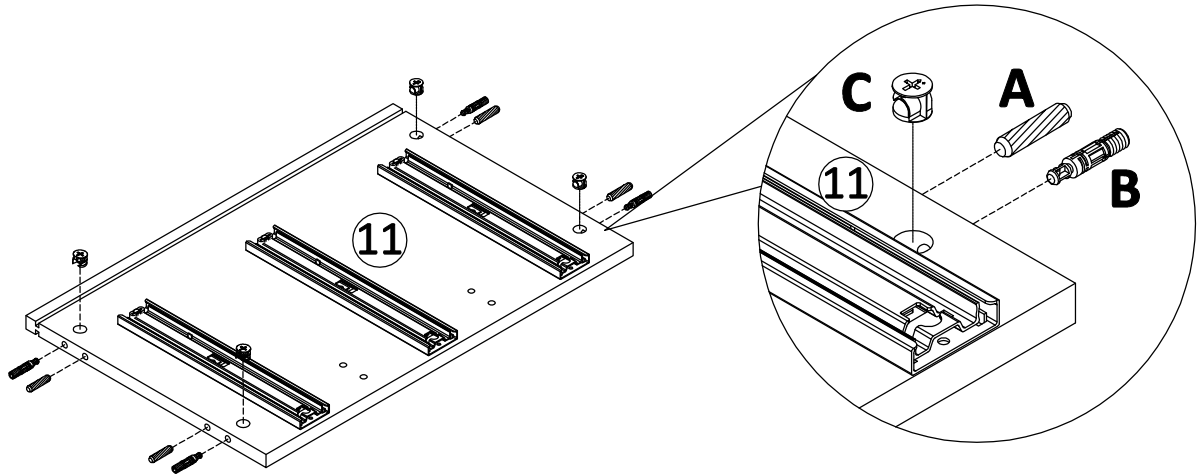
4 . Turn cam clockwise to tighten. Secure connection by turning arrow on the cam to 2 O'clock to smoothly lock panels together.



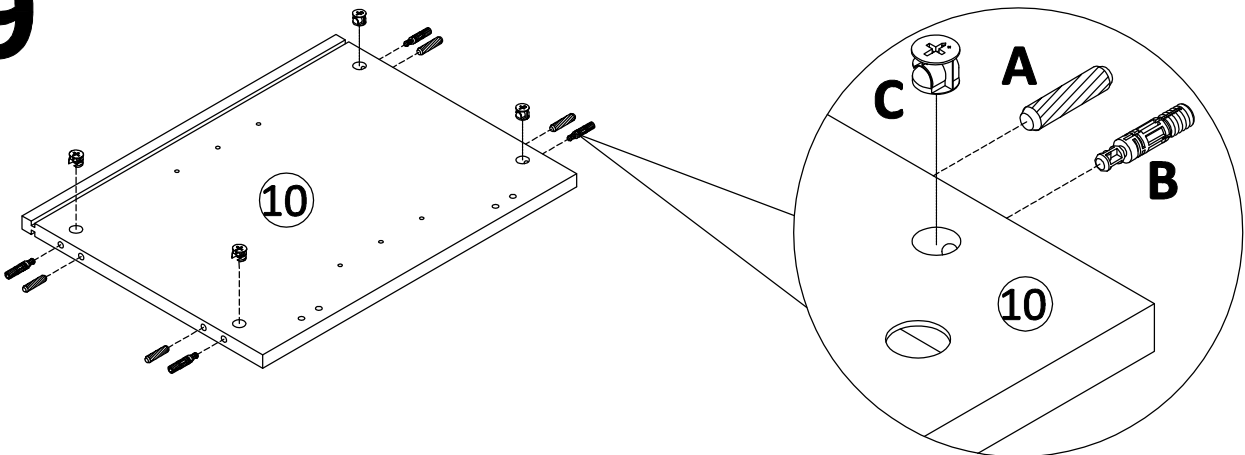
7



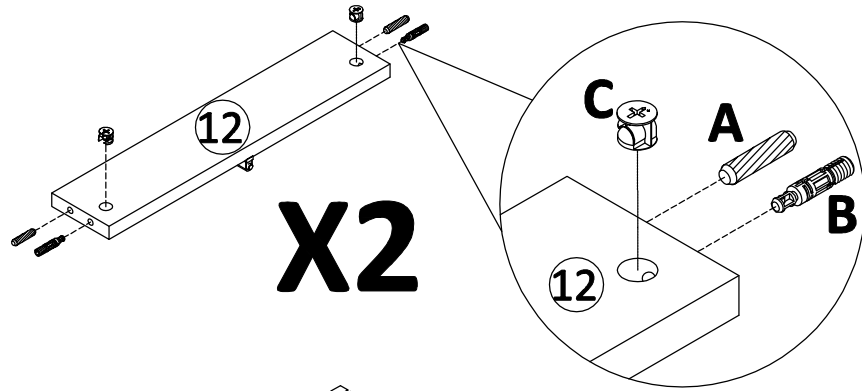
8



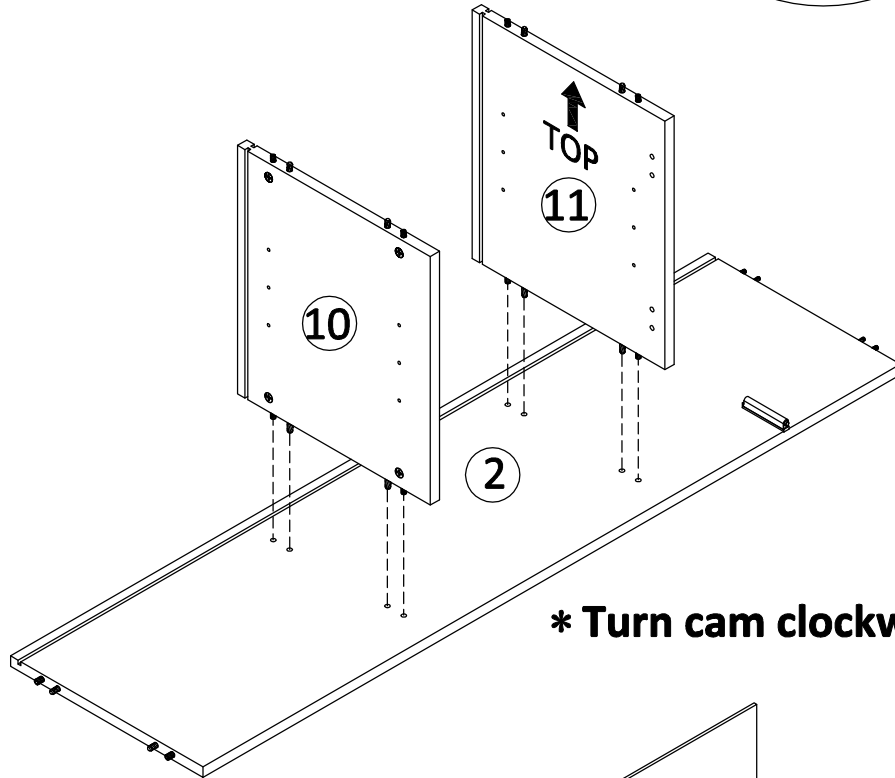
9



10

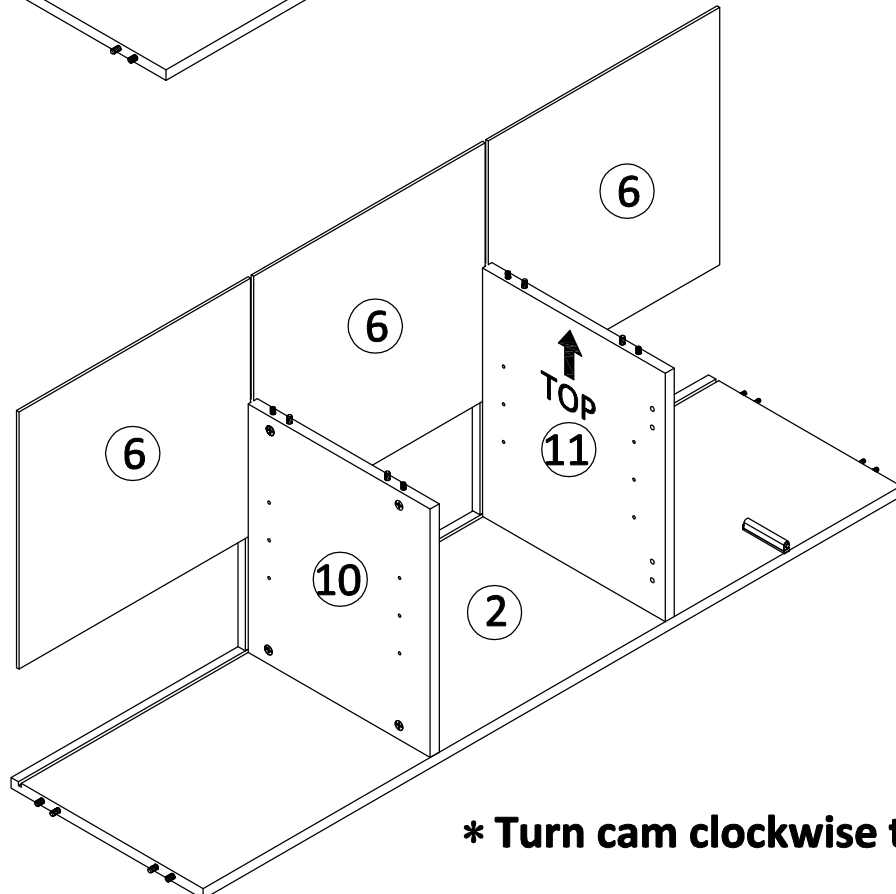


11



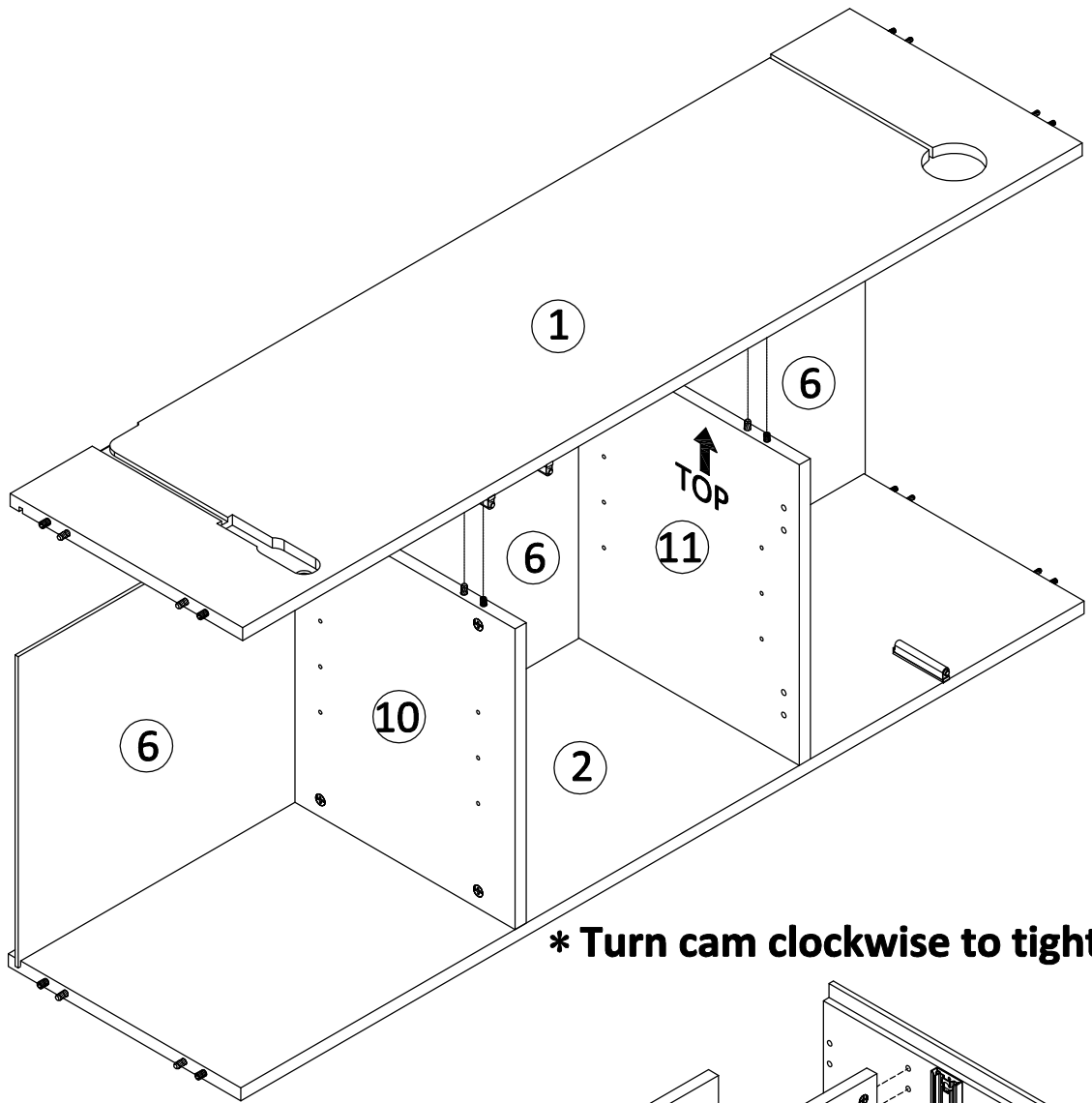
*** Turn cam clockwise to tighten**

12



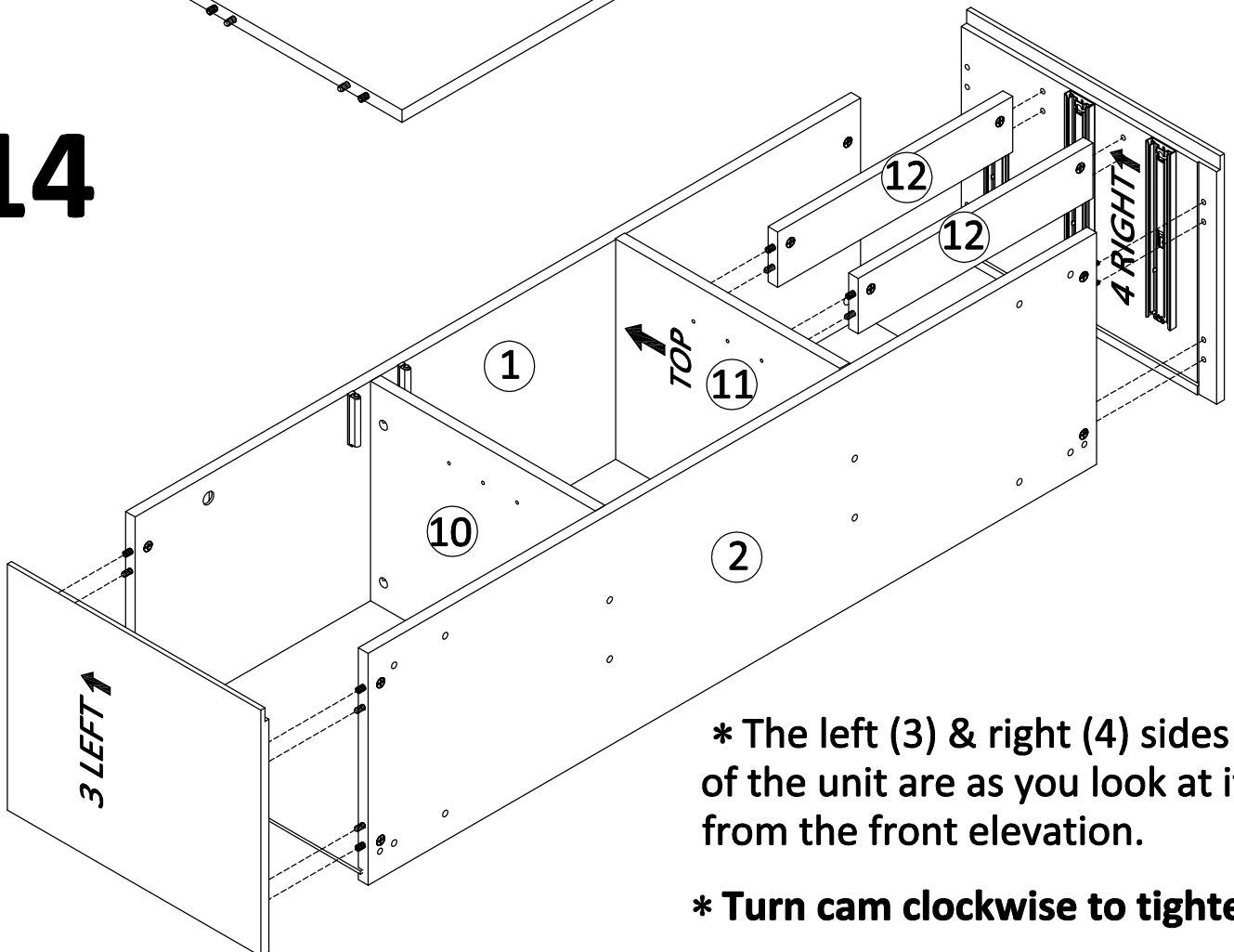
*** Turn cam clockwise to tighten**

13



*** Turn cam clockwise to tighten**

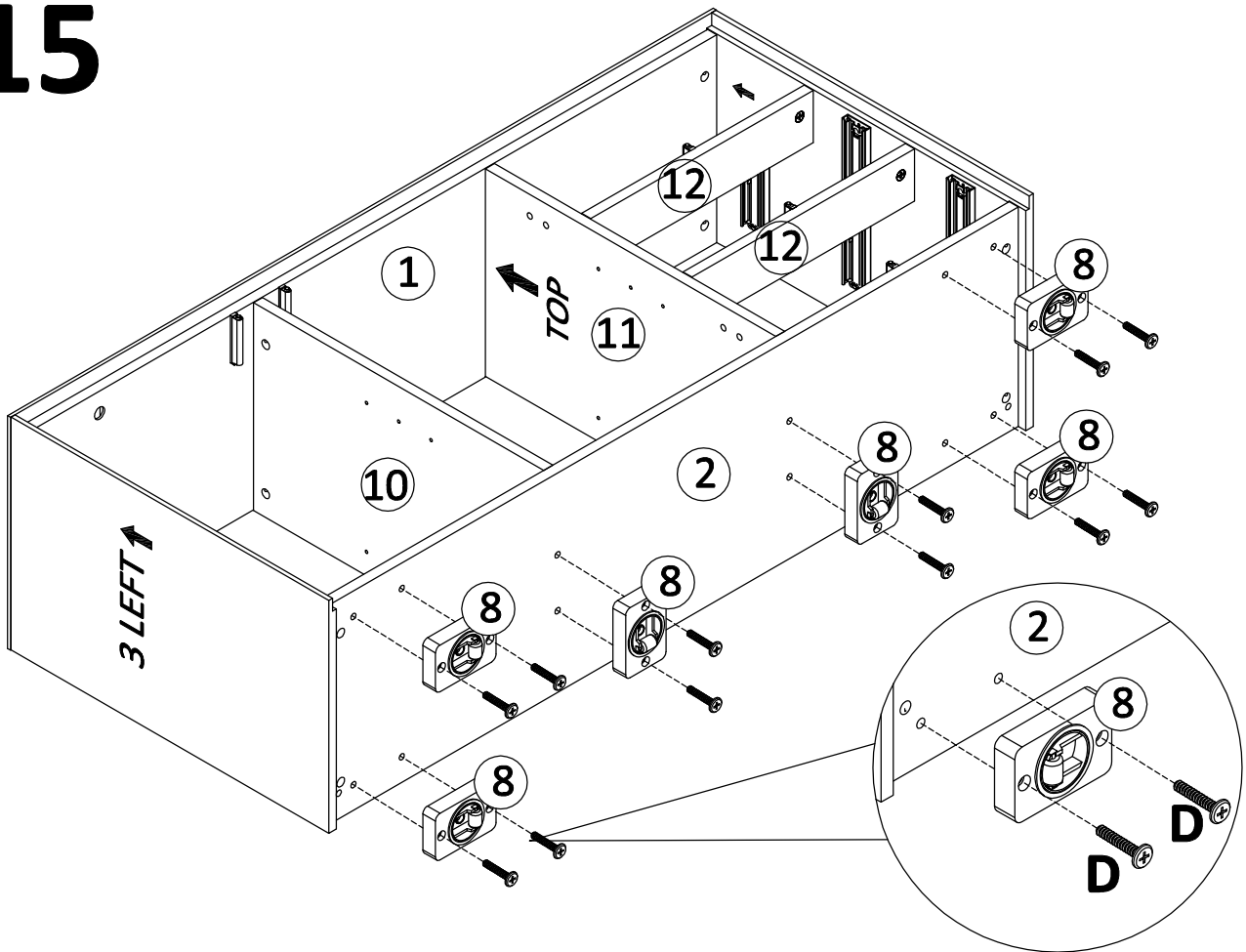
14



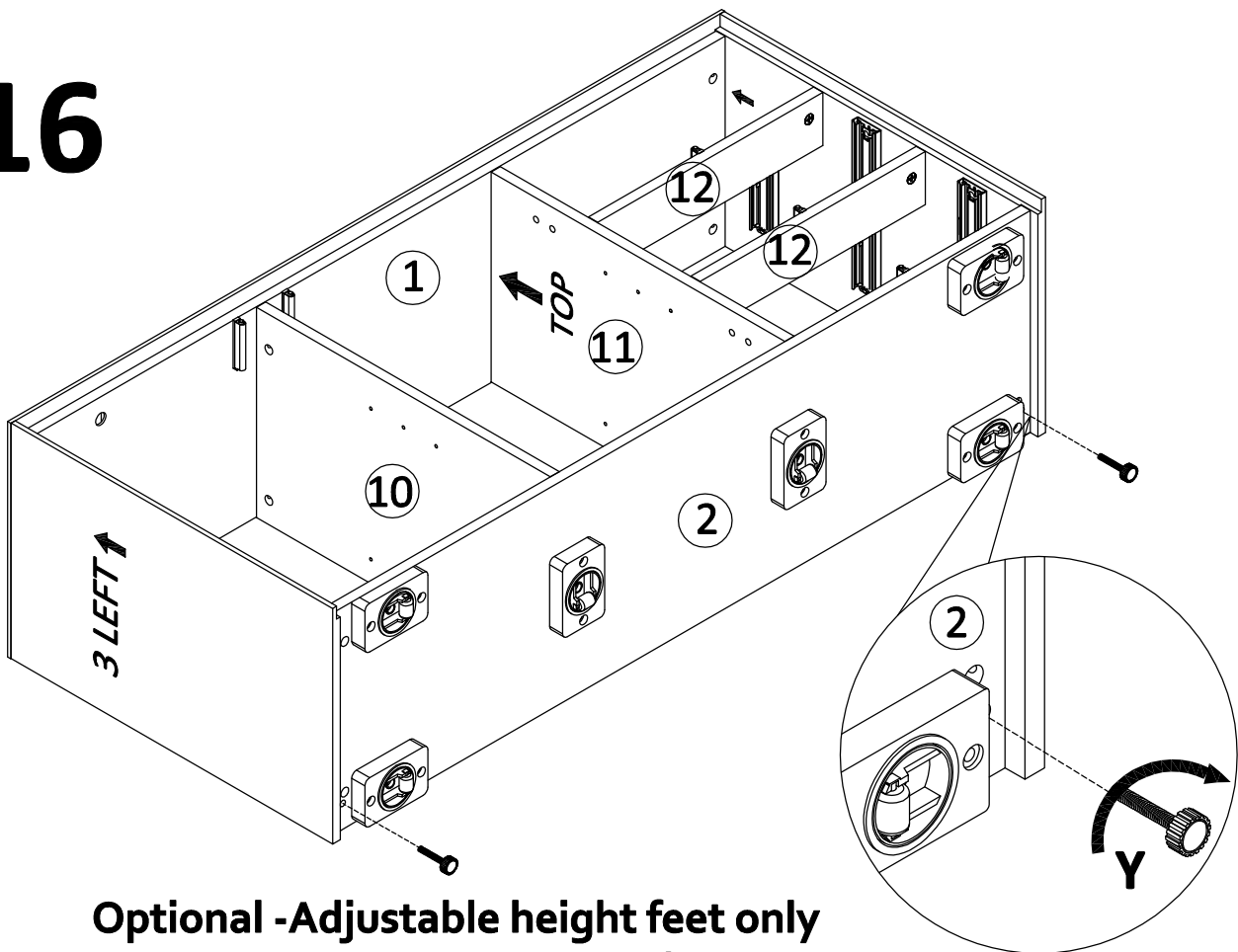
*** The left (3) & right (4) sides of the unit are as you look at it from the front elevation.**

*** Turn cam clockwise to tighten**

15

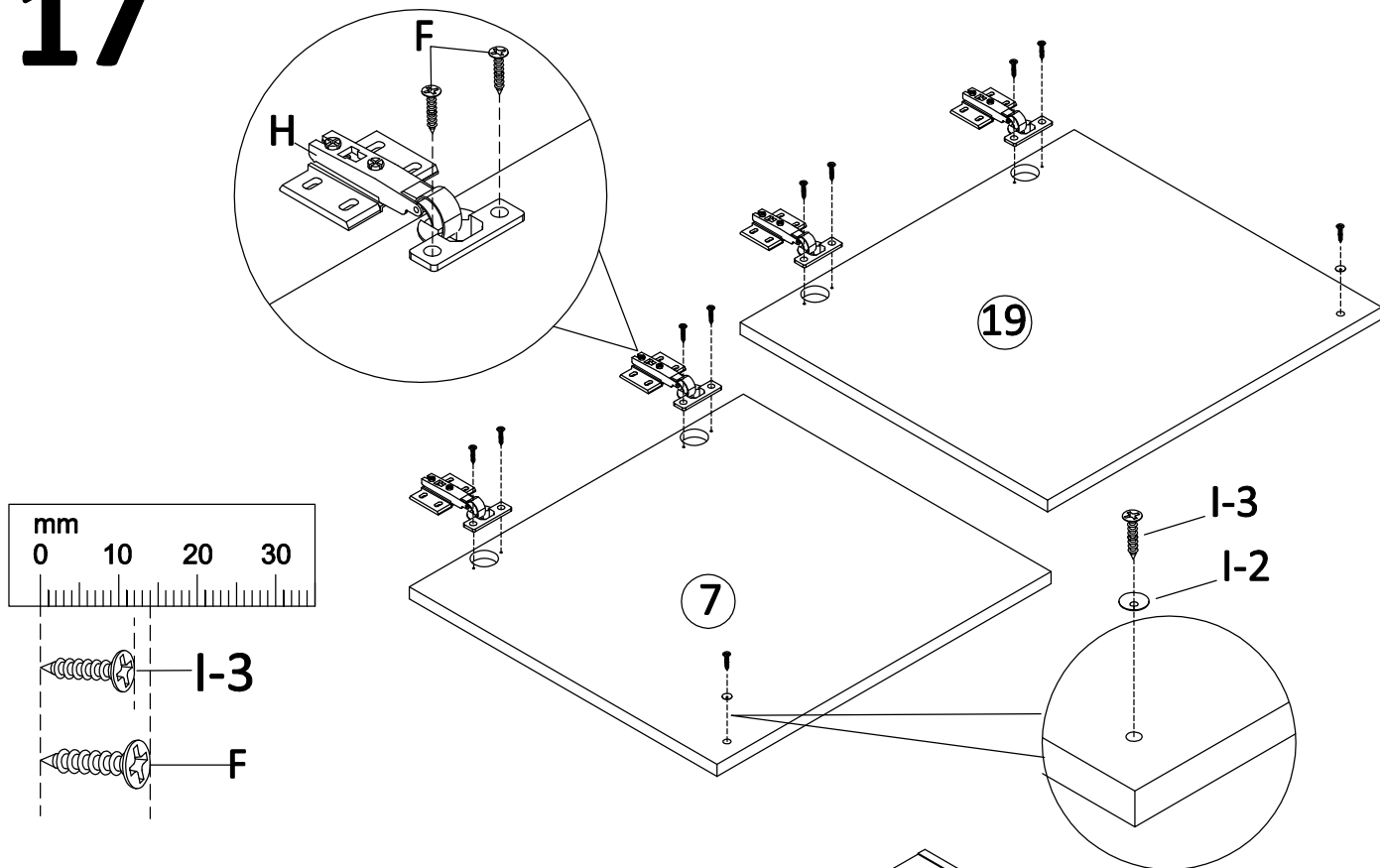


16

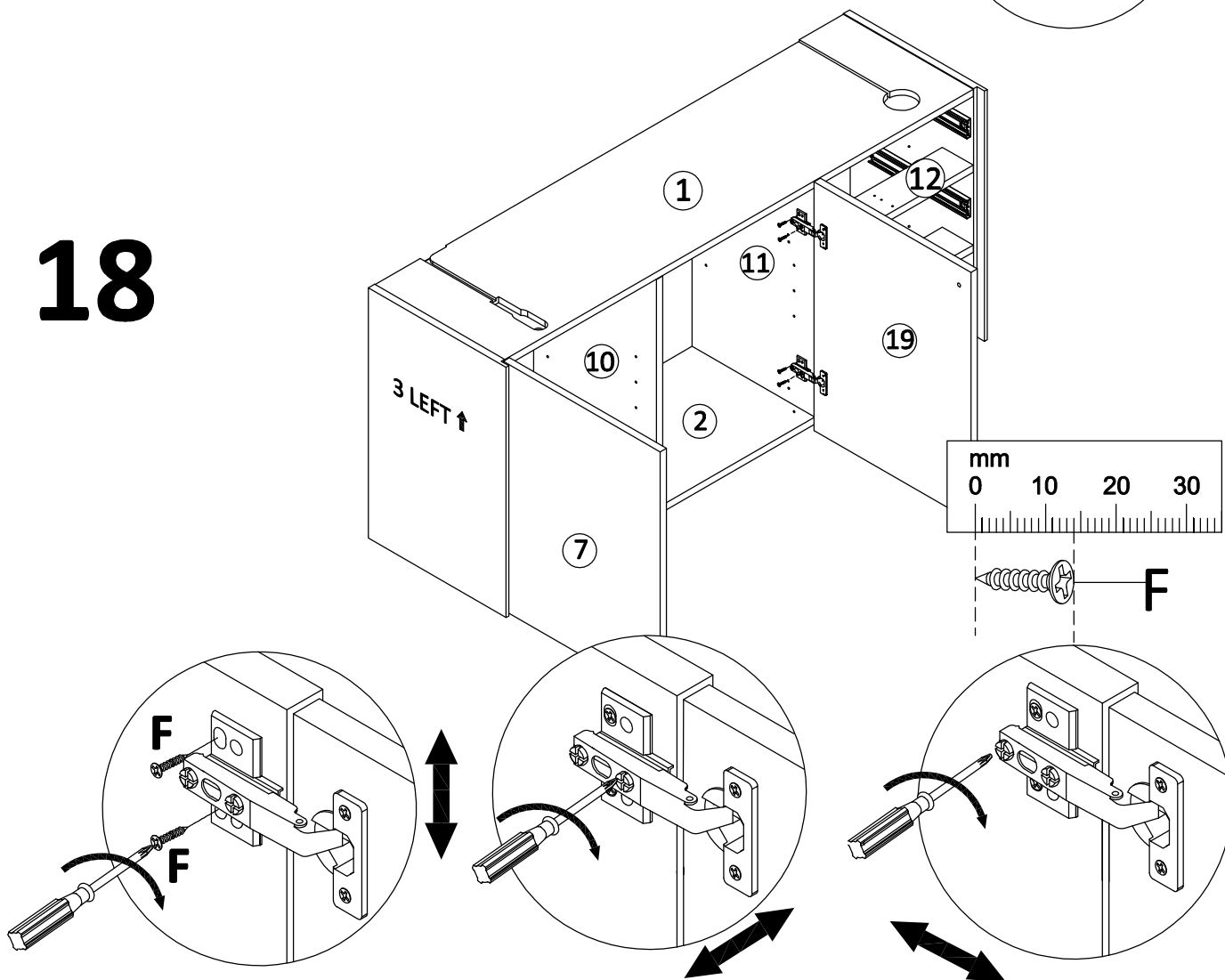


Optional -Adjustable height feet only recommended on an uneven floor

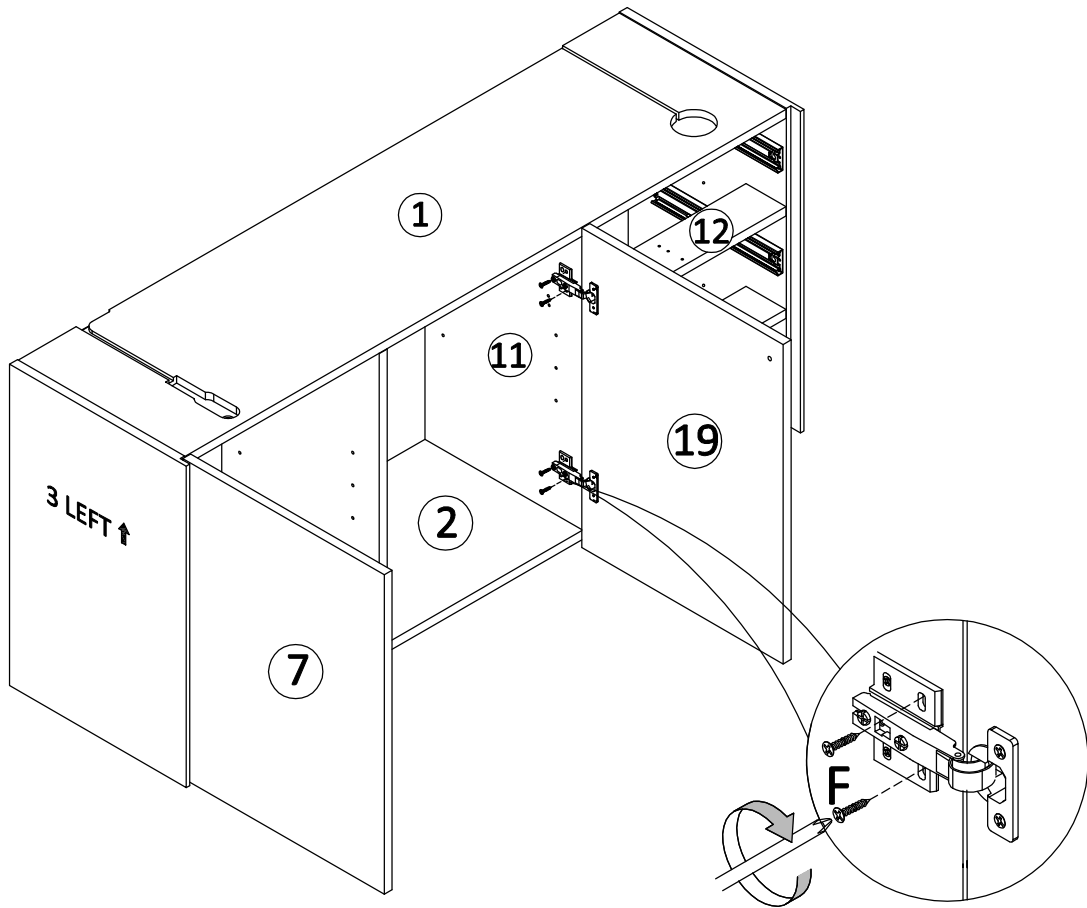
17



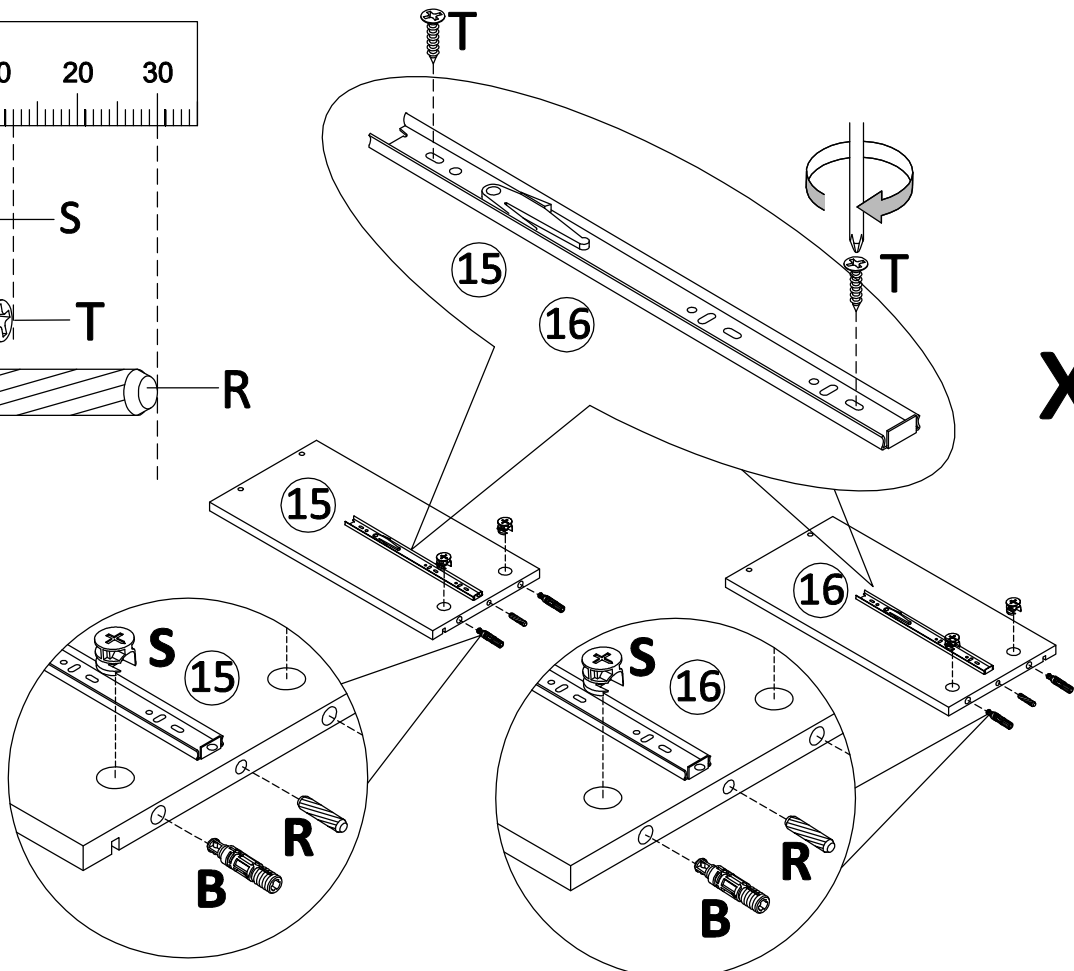
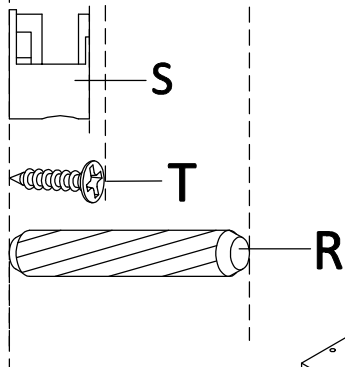
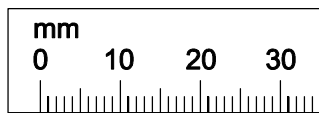
18



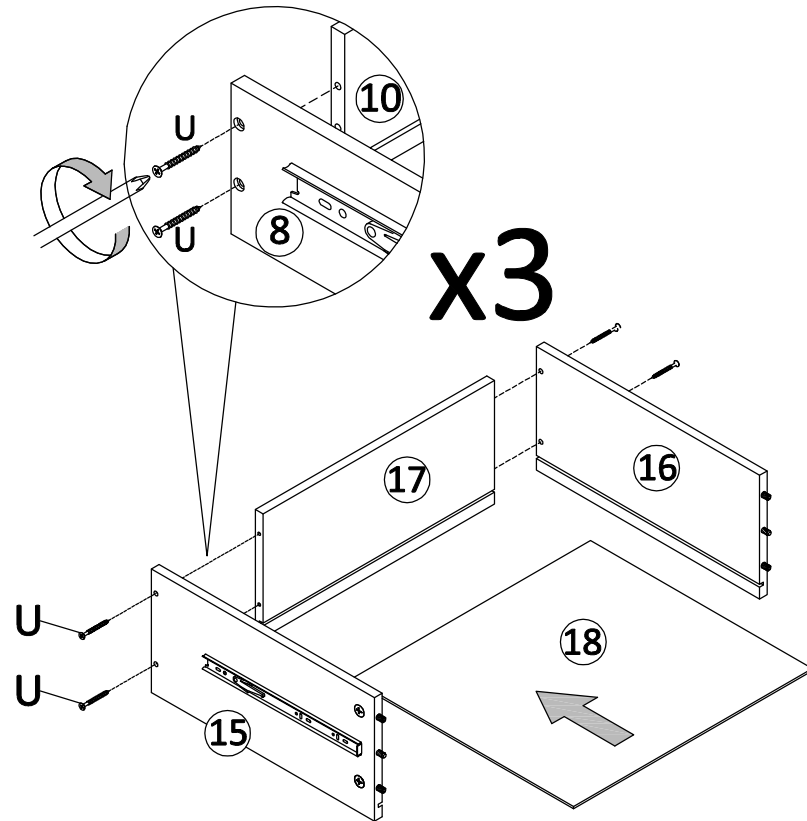
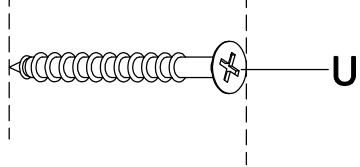
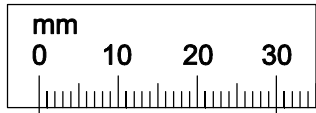
19



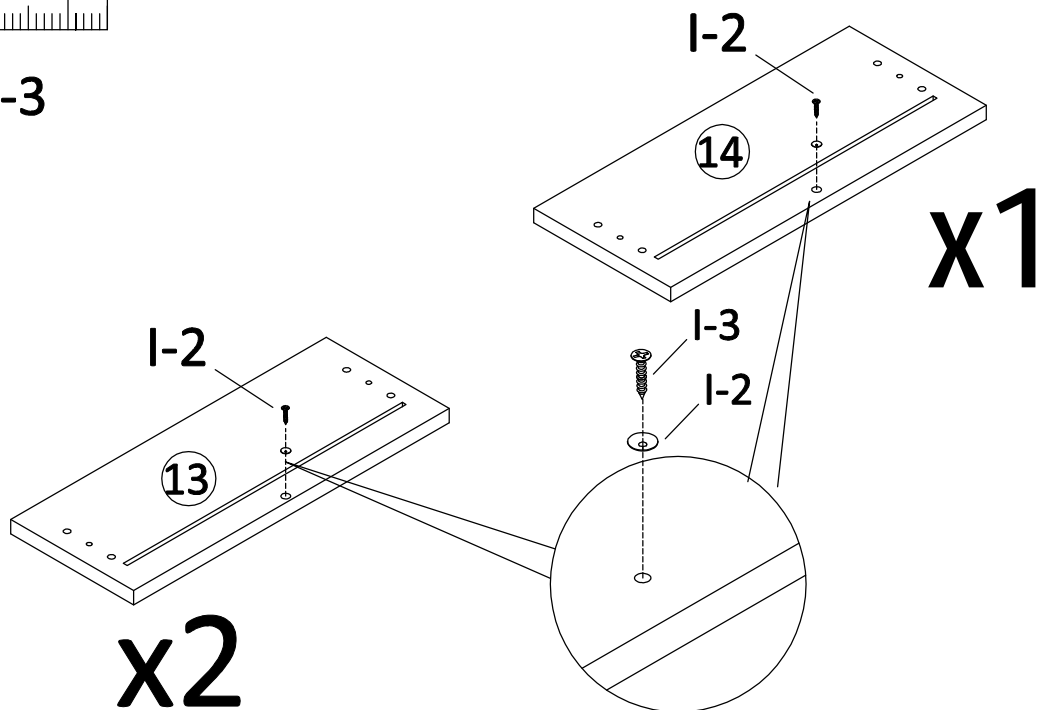
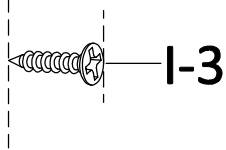
20



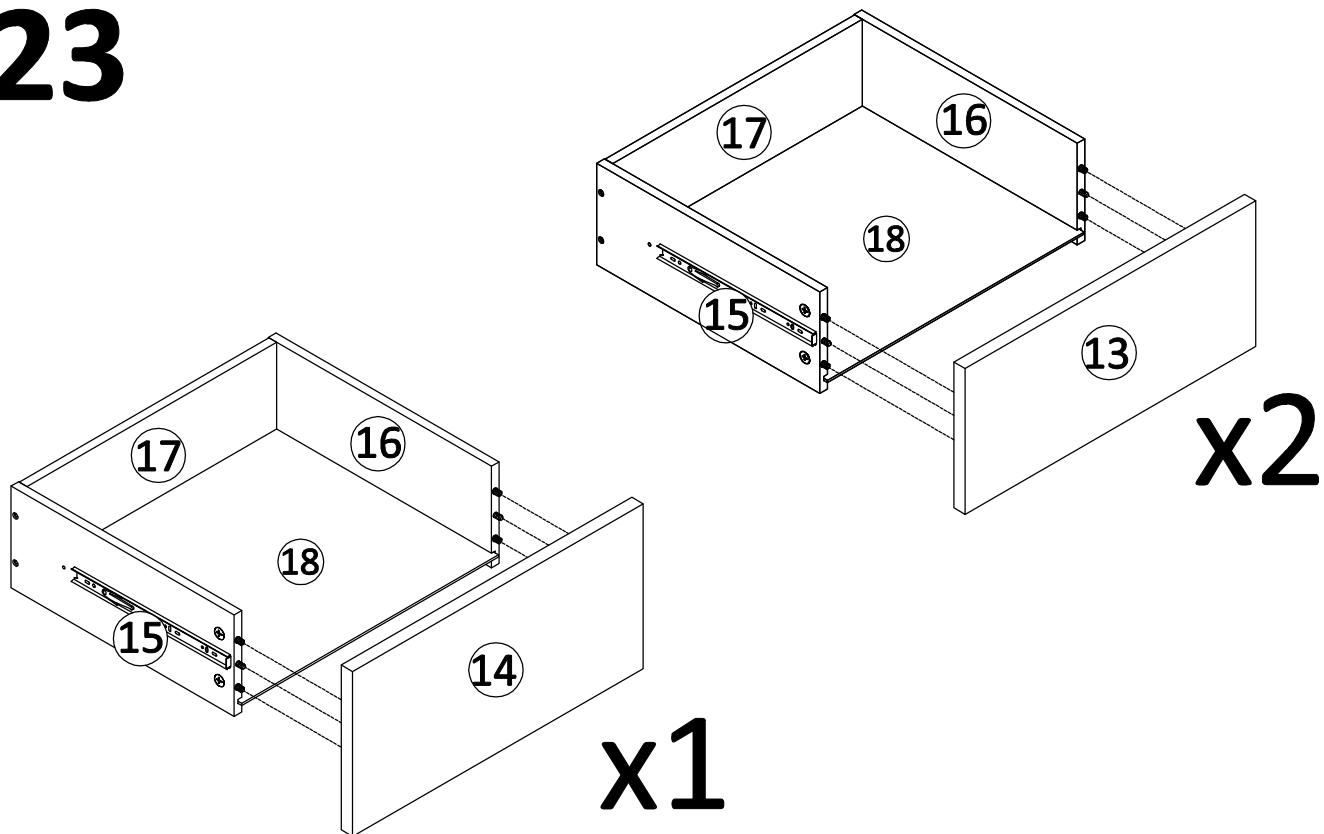
21



22

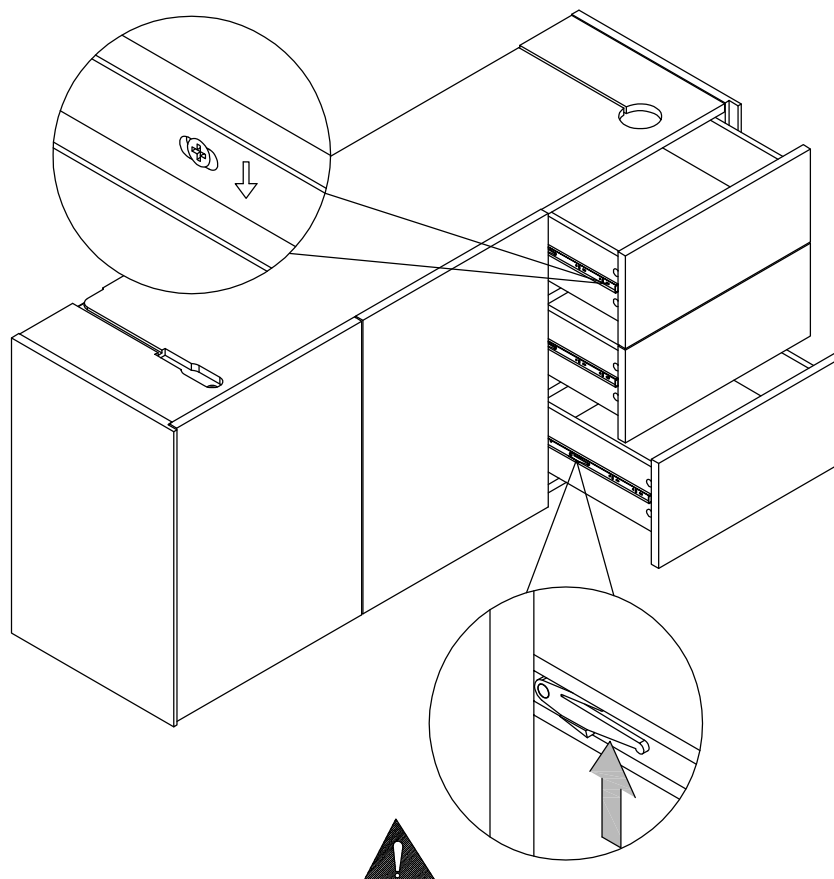


23



*** Turn cam clockwise to tighten**

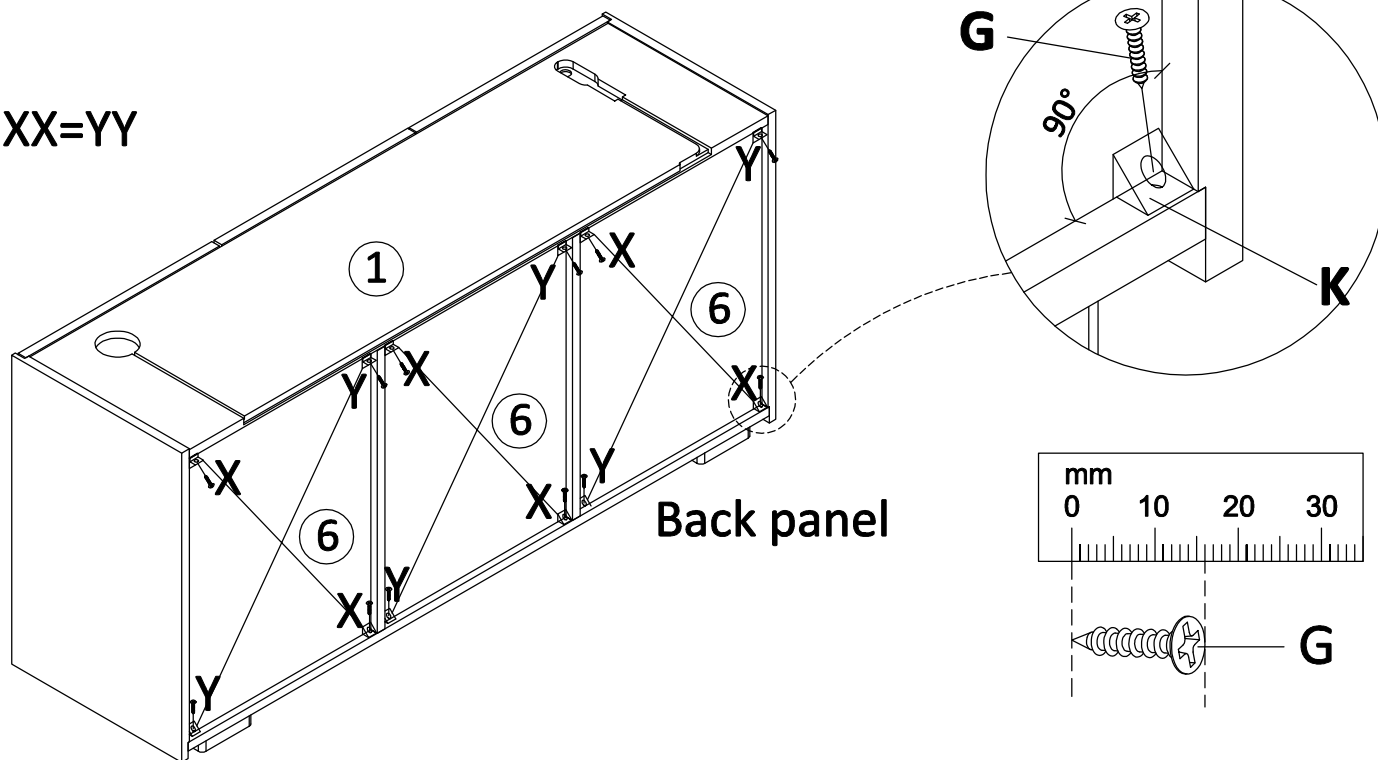
24



The gap between the drawers can be altered by loosening the screw and moving the runner up or down.
When inserting the drawer into the runners for the first time please move the drawer back and forward a few times to ensure that the ball bearings run smoothly

25

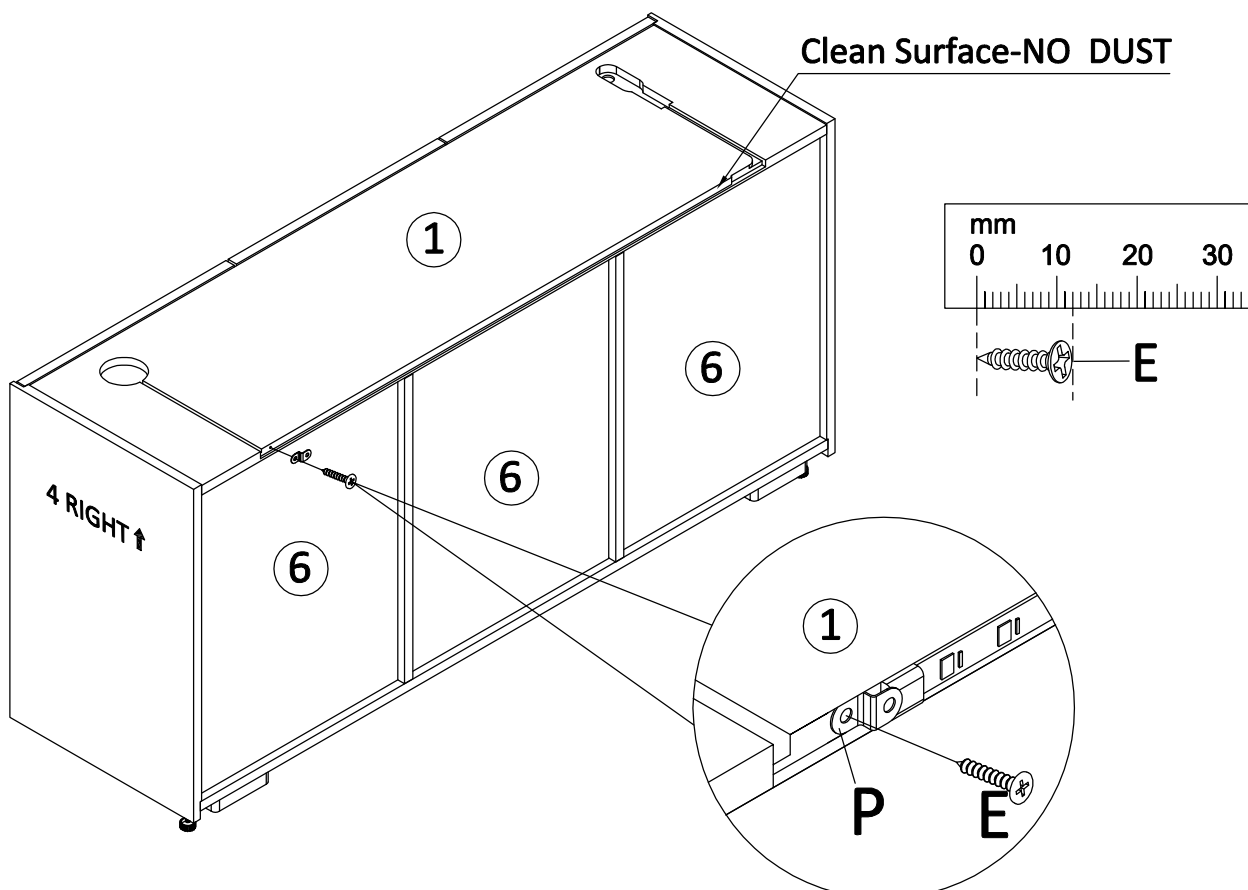
XX=YY



26

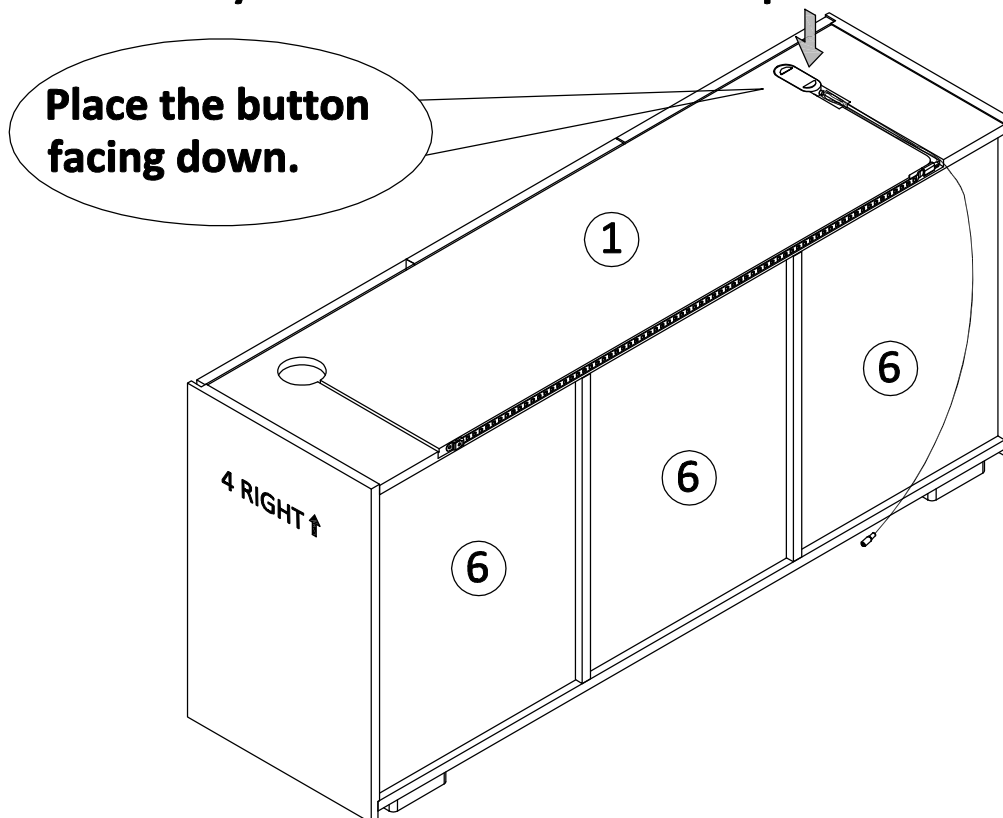
PLEASE FOLLOW THE STEPS TO ENSURE NO DAMAGE.

1. Screw in clip 'P'- ensure surface is DUST FREE



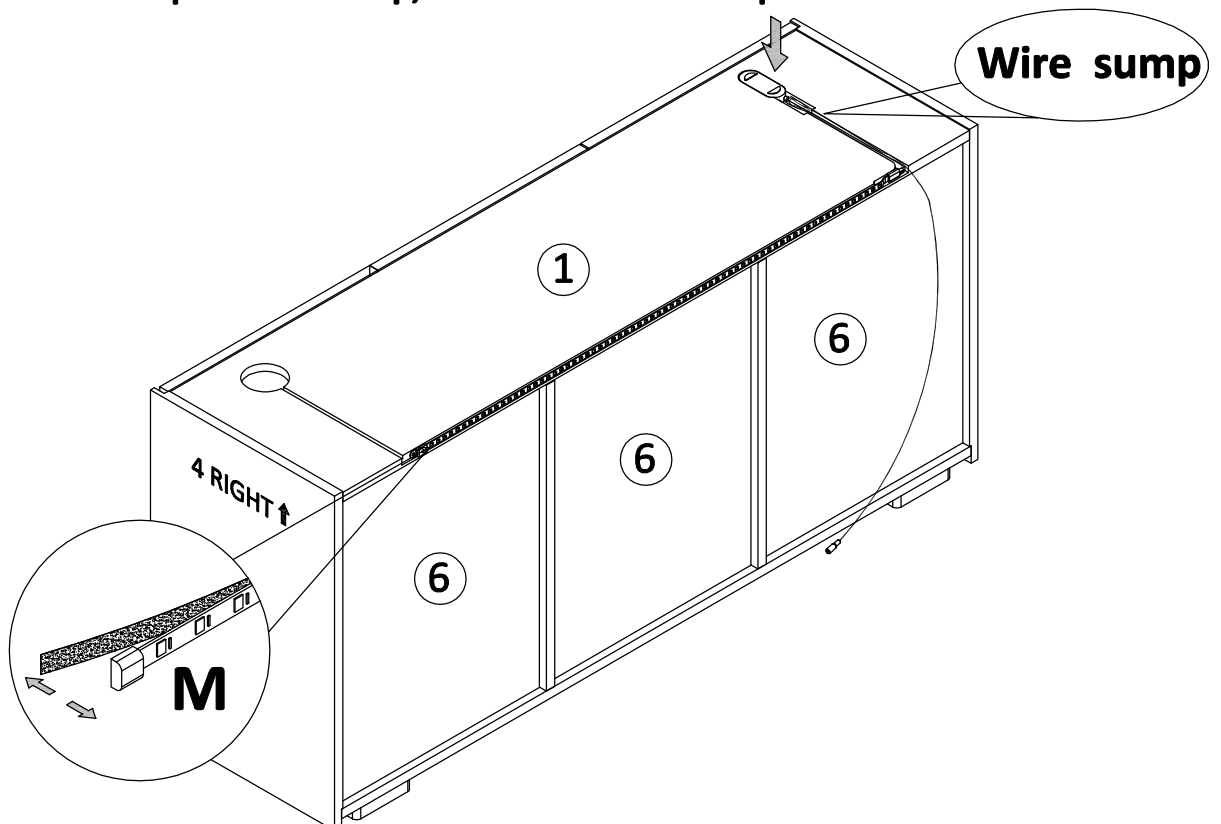
27

2. Do not remove LED strip backing yet. Place LED strip in position under the clip and lay LED strip in place.
3. Loosely run wires in the recess and place the button in position.



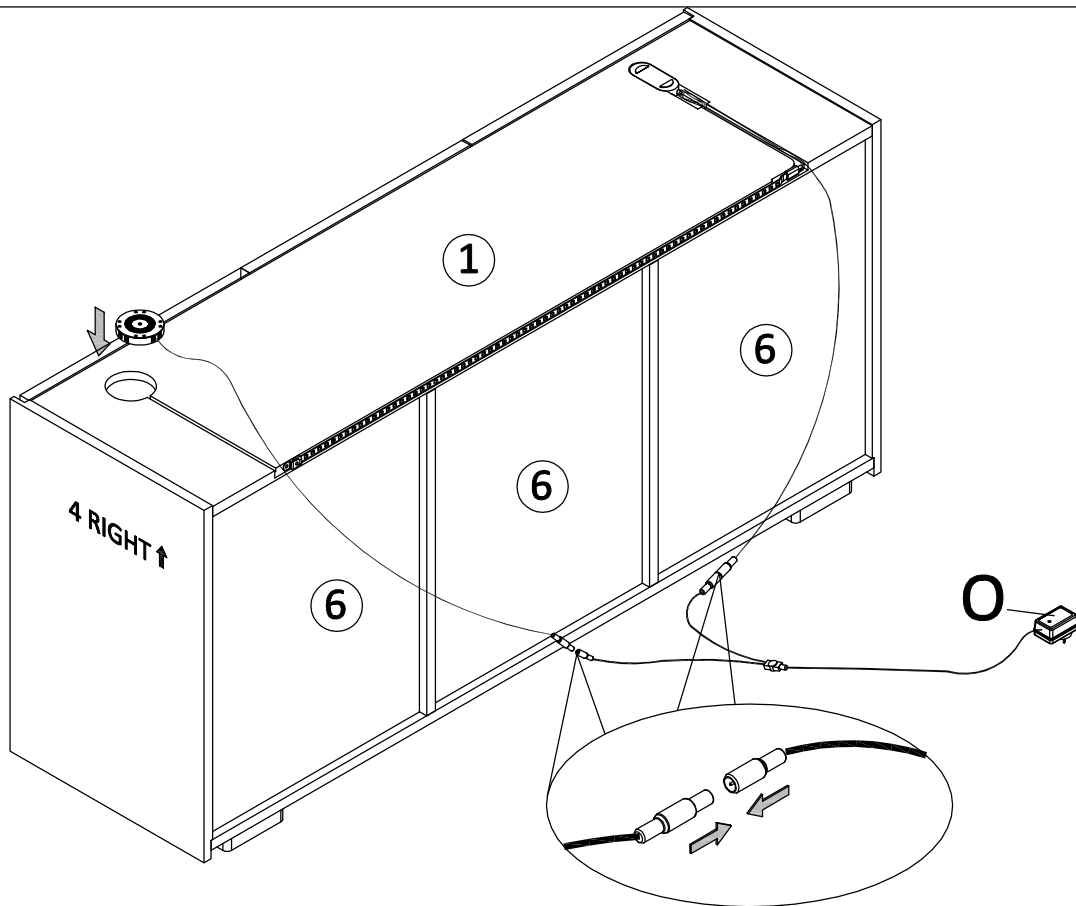
28

- CAUTION**, When peeling off LED adhesive strip, take Extra care to peel ONLY the protective strip, not the Adhesive strip.



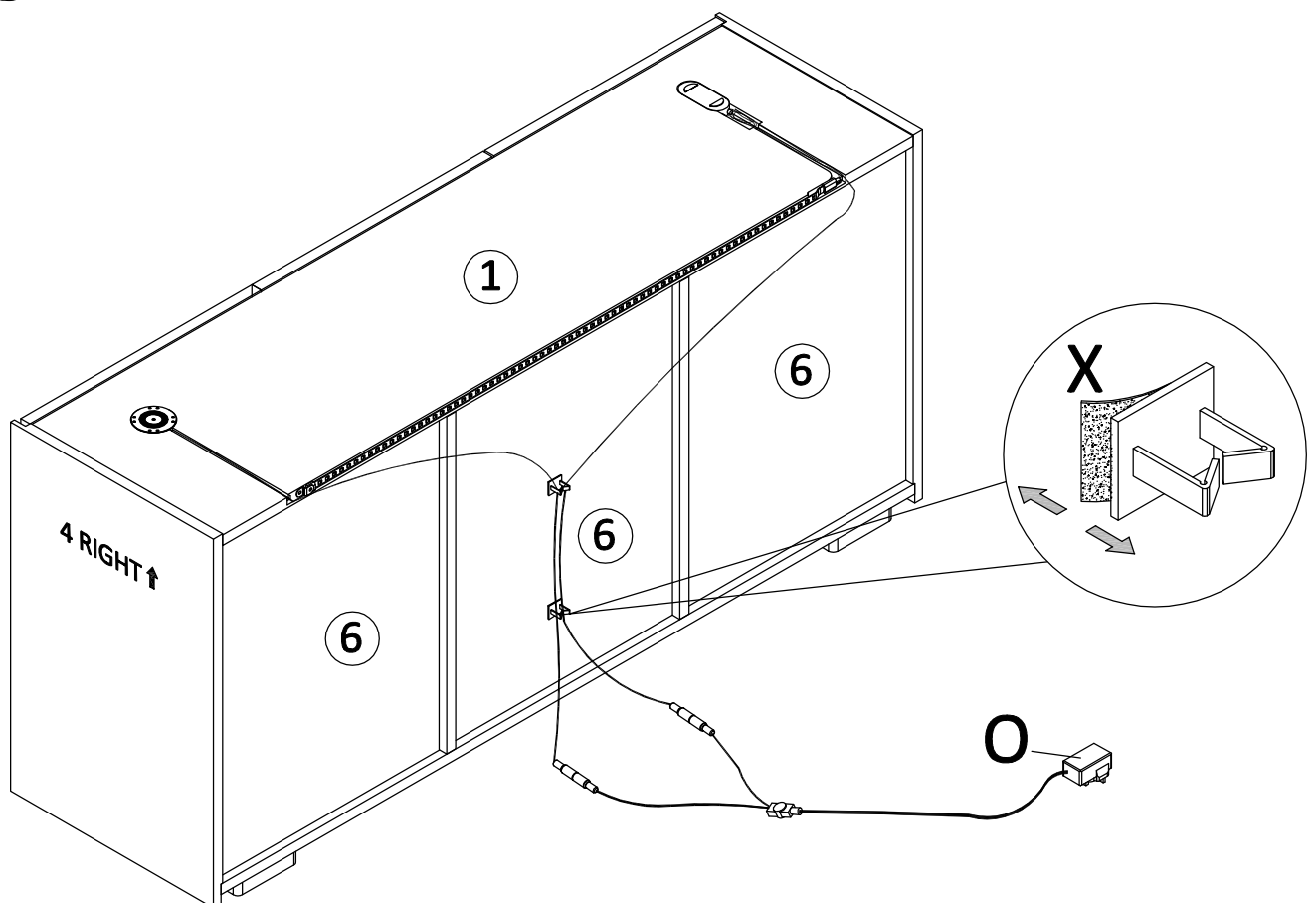
4. Start from the CLIP end, remove the LED strip backing with care and place in position on the edge of the back panel pressing firmly.
5. Gently pull the wires so that the end of the LED strip is straight and sticking in position.
6. Use the space in the wire sump to coil any excess wire for a neat fit.

29

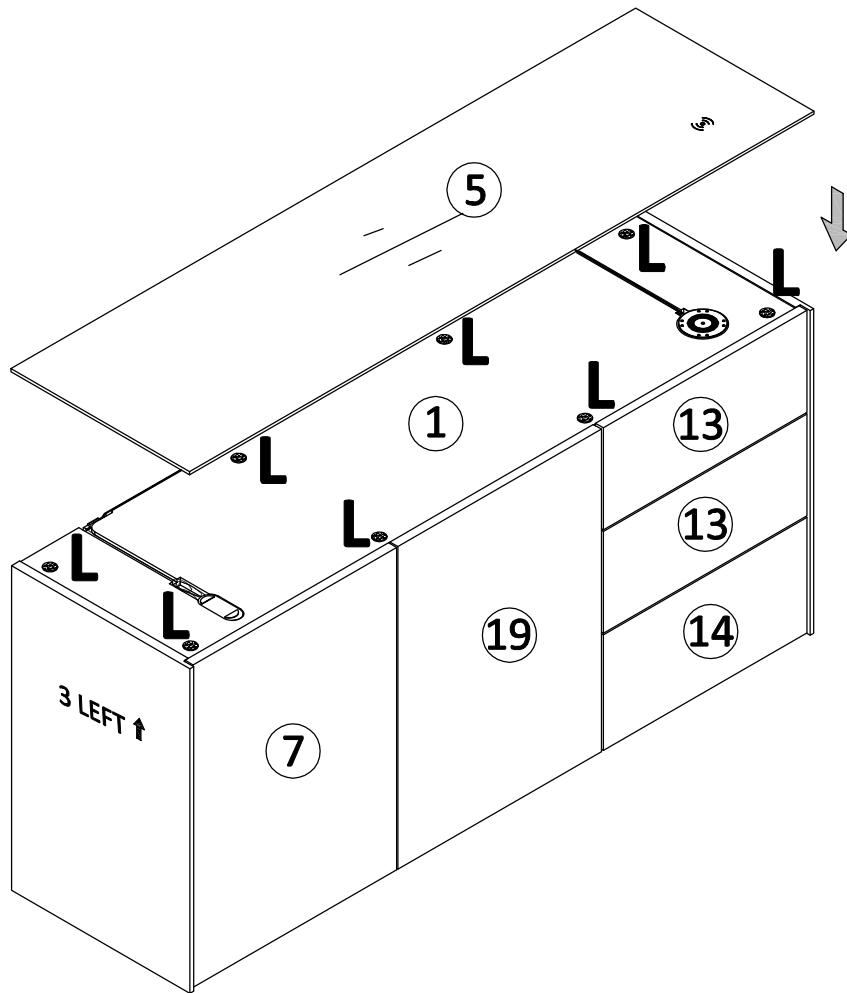


30

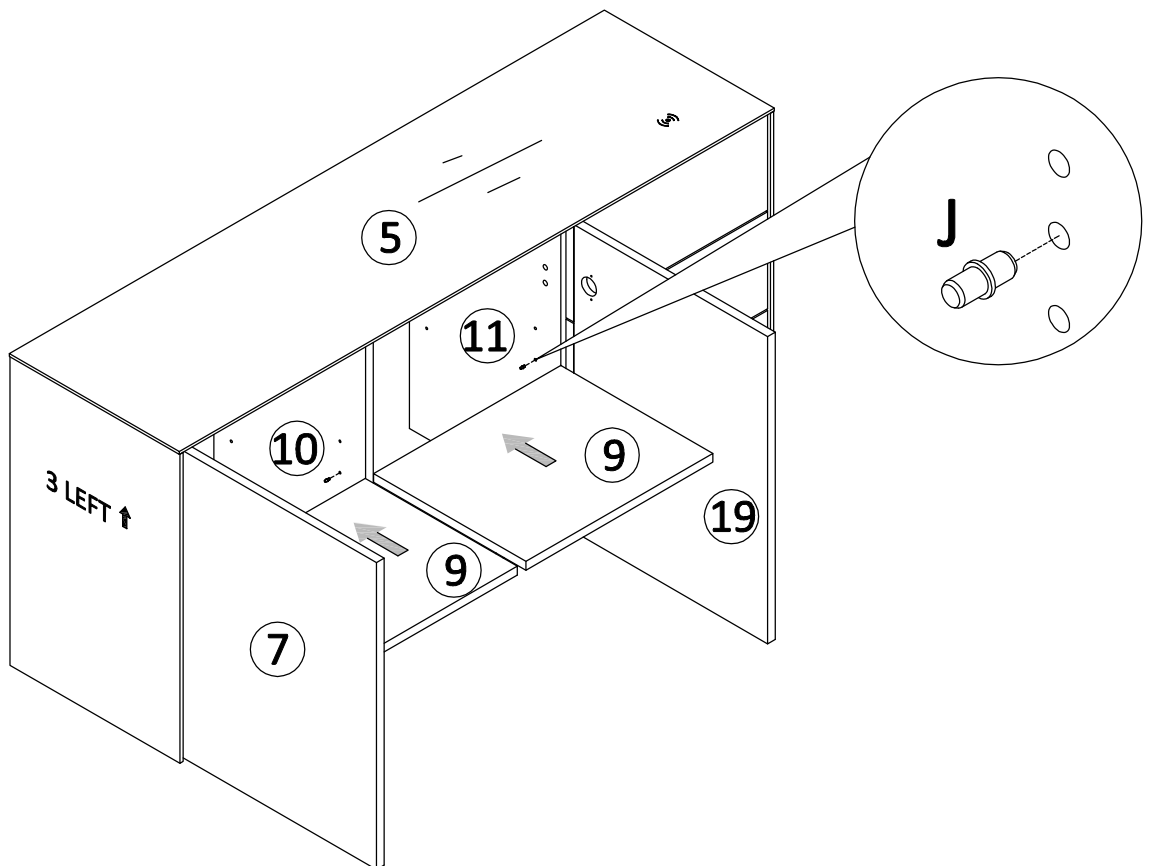
NOTE : See separate instructions provided on setting up the app / LED strip and Alexa voice control.



31

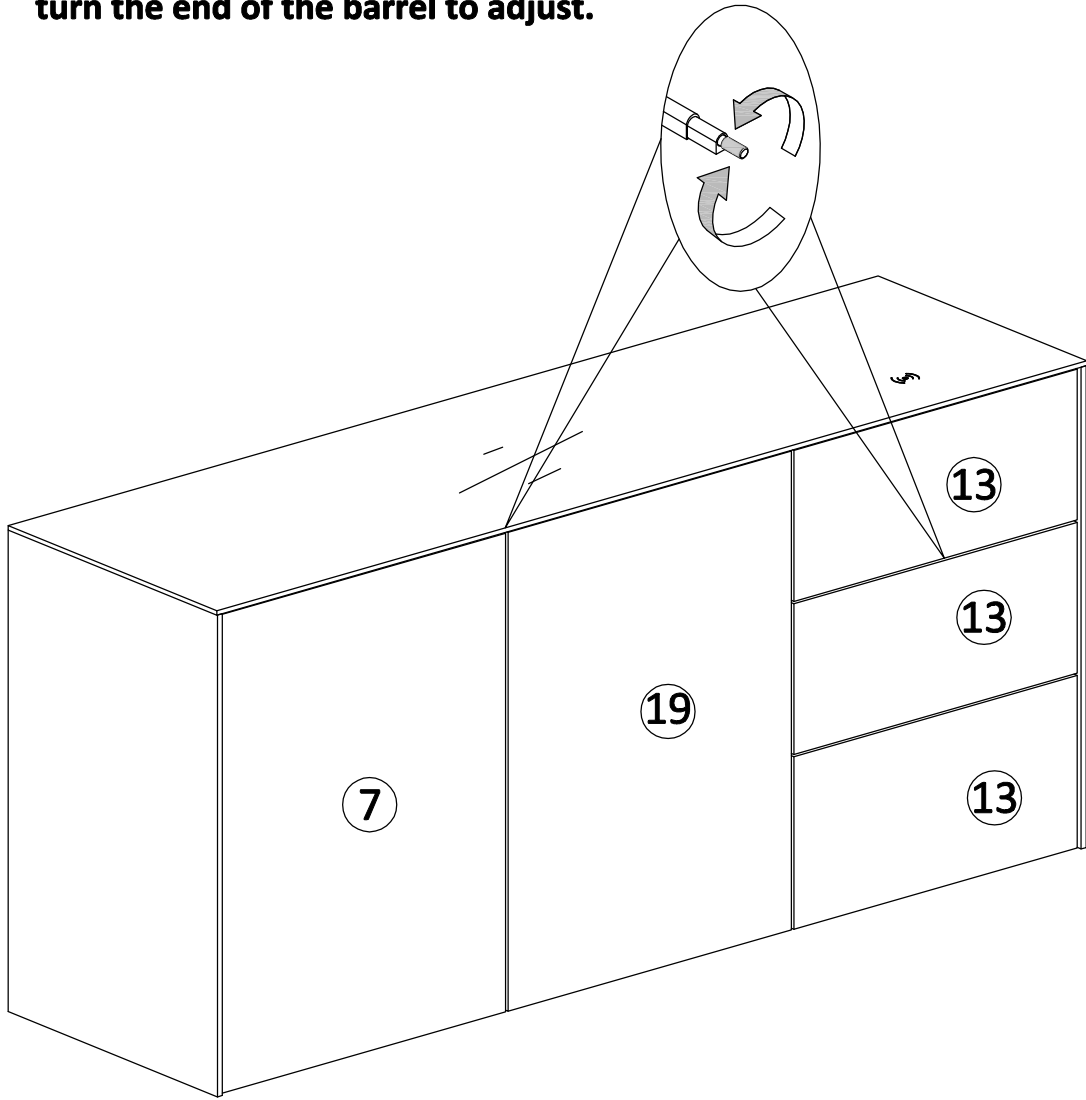


32



33

NOTE: If the push to open mechanism is not working properly, Simply turn the end of the barrel to adjust.



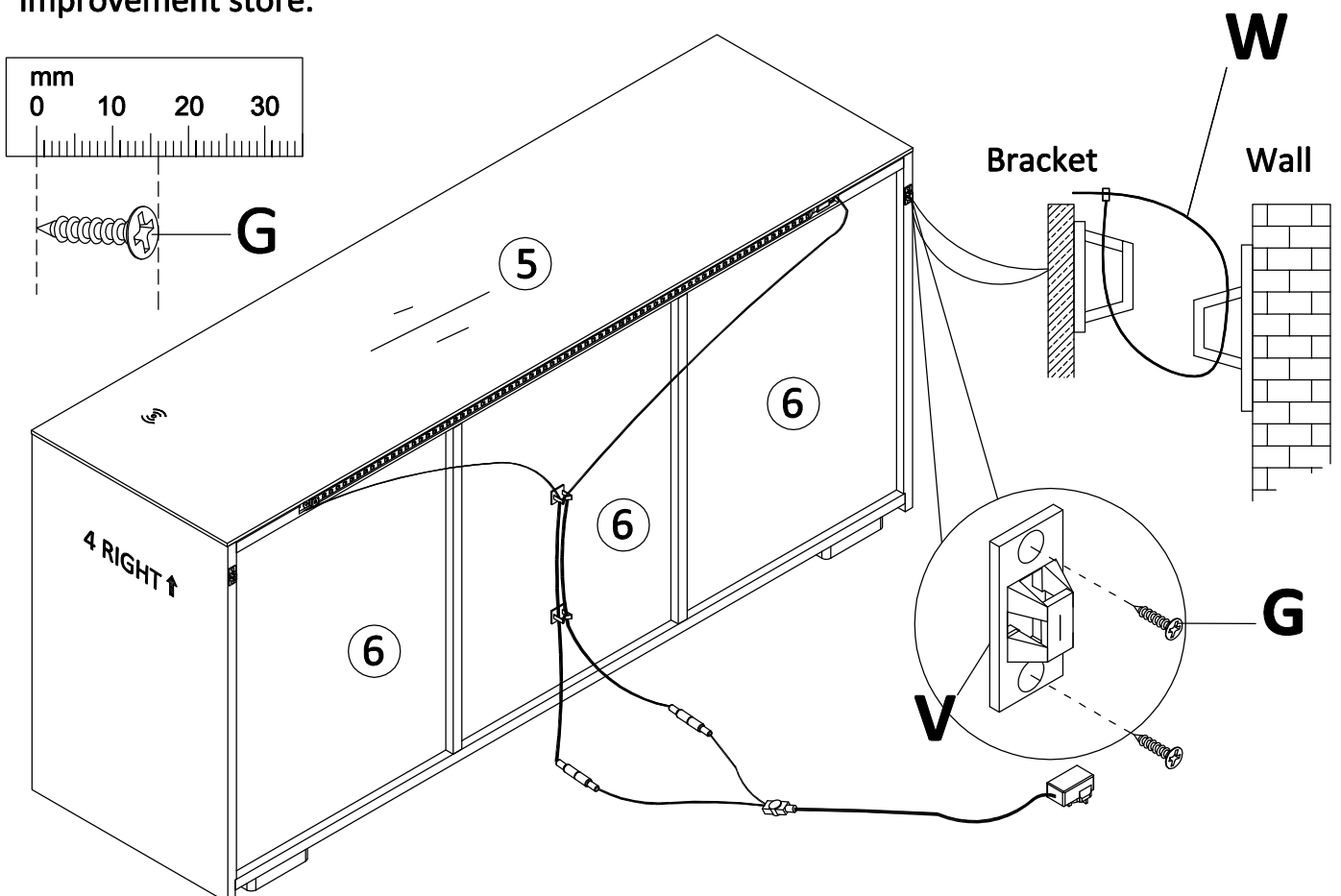
34

WARNING!

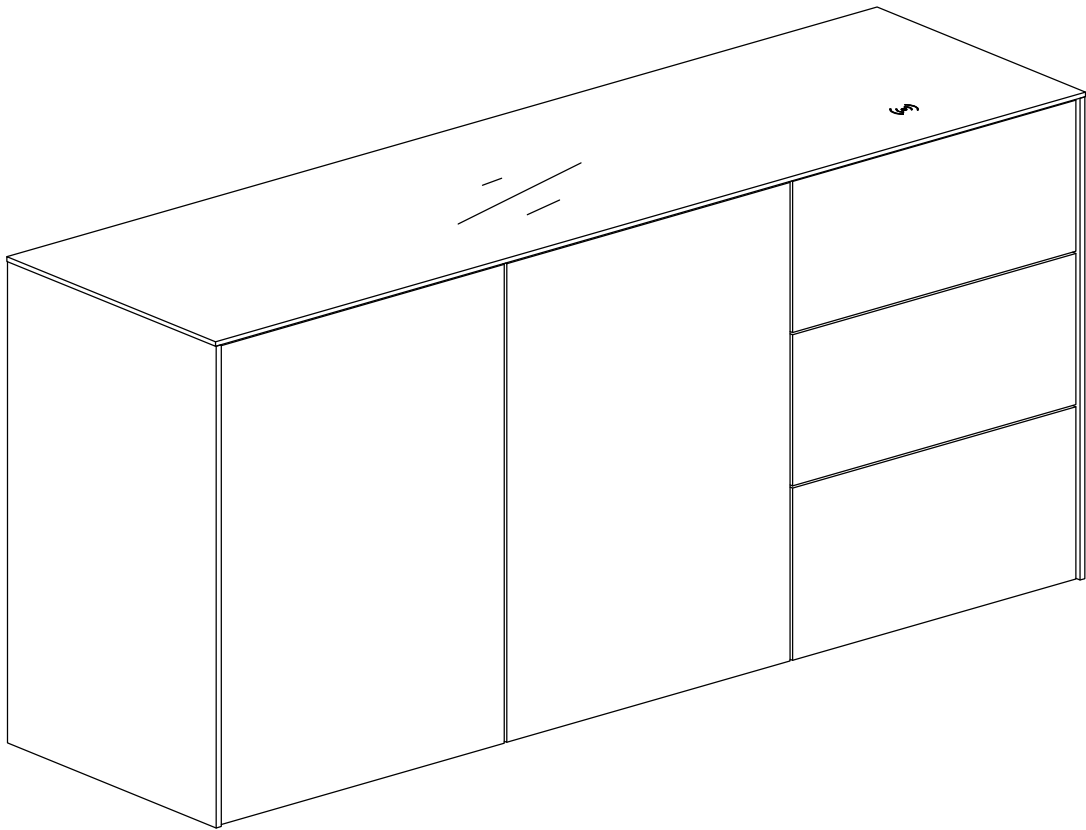
Due to risk of overturning, this unit must be used with the wall attachment device/s provided

Please read these assembly instructions carefully as failure to adhere and non use of strap or brackets may cause the product to move and possibly lead to damage and/or injury if improperly fitted. If in doubt consult a qualified technician.

1. Place the unit into required position.
2. Ensure unit is level before securing to the wall.
3. Attach a bracket (V) to the unit back frame of the top with the short screws (G) provided.
4. Attach a bracket (V) to the wallboard with the long screws (not provided).
5. Move the unit into it's final position. Thread a strap (W) through the bracket (V) as show in the below illustration, tighten strap (W) until snug. Do not over tighten.
6. Make sure the bracket (V) is firmly attached to wallboard and unit and the strap (W) is snug.
7. Please note that the wall fixings such as wall plugs are not supplied - please secure the unit to the wall using the appropriate fixings for your wall type. These will be readily available from your DIY/Home improvement store.



35



CLEANING ADVICE:

To avoid scratching the painted and glass surfaces, clean only with a non abrasive cleaner.

NOTES ON SETTING UP WIFI

The LEDS lights only work on 2.4 GHz, they will not work on 5.0 GHz

Most homes are 2.4 GHz or operate a dual function. If for any reason the LED lights are not connecting to the app or Alexa, please check the router setting. Most routers will operate both 2.4 and 5.00 GHz so there should be no problem.

In commercial premises, there maybe software to block access connection to unknown apps or services. If this happens, please check with IT Department.

The system will work from a mobile WiFi hotspot from one phone to another. We recommend this approach if there are access issues.

Using the wireless charging

The wireless charging will only work with Qi enabled wireless charging phones. Please check the phone is wireless charging compatible.

Note: We recommend removing the phone case during the charging process

- Using the 2amp / 12V plug provided, connect the wireless charger cable to the plug and connect to the power source.
- To charge your phone, simply place the phone on the charging position indicator and the phone will start to charge.
- To check if the charger is working, simply move the phone and if the lights under the glass are on, this indicates that the charger is working. You may need to reposition the phone slightly if the red / blue light is not showing.
- For the charger to work properly, the charging position within the back of the phone needs to sit aligned with the central red light.
- An element of heat is created during the wireless charging process, this is perfectly normal and safe.. The charger has a built in temperature control and will not over heat.
- If a phone has a thick case, it may affect the wireless charging, to resolve this remove the phone case during charging.
- If a phone case is used and charging process seems to stop and start, remove the phone case and try again, this should work better in this case.

NOTE : there may be a few second delay for the phone to register as charging which is normal.

PHONE CHARGING SPOT ON FURNITURE

Note: The furniture comes with an easy peel removable sticker to indicate the charging position. Once removed, if you look closely, a charging position graphic is printed faintly in the glass. This is to help identify where to place the phone, but the idea is that it isn't really visible and so doesn't ruin the design of the cabinets.

For a guidance and help and contact details, please visit our website :
www.frankolsenfurniture.co.uk

QUICK HELP GUIDE & TIP VIDEOS



Quick video to give you finishing touches to make your cabinet look perfect



Quick video to help you set up the LED lights and Frank Olsen App



Quick video to help you set up the wireless phone charger



Quick video to help you set up voice control via a smart speaker

Simply hold the camera on a smartphone over the QR code above to go to a quick link to the help video